

A

B

C

D

1

1

2

2


ADSP-21535 EZ-KIT LITE

3

3

4

4

	ANALOG DEVICES		20 Cotton Road Nashua, NH 03063 PH: 1-800-ANALOGD	
	Title ADSP-21535 EZ-KIT LITE - TITLE			
Size C	Board No. A0162-2000		Rev 1.4	
Date	5-3-2002_12:31		Sheet 1 of 10	

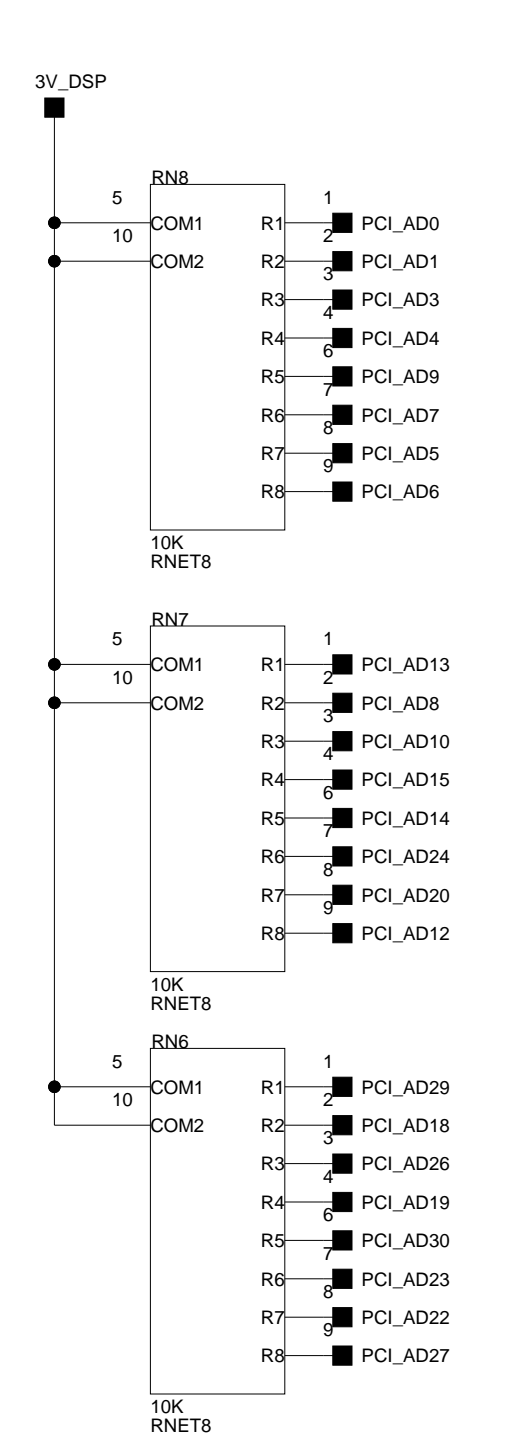
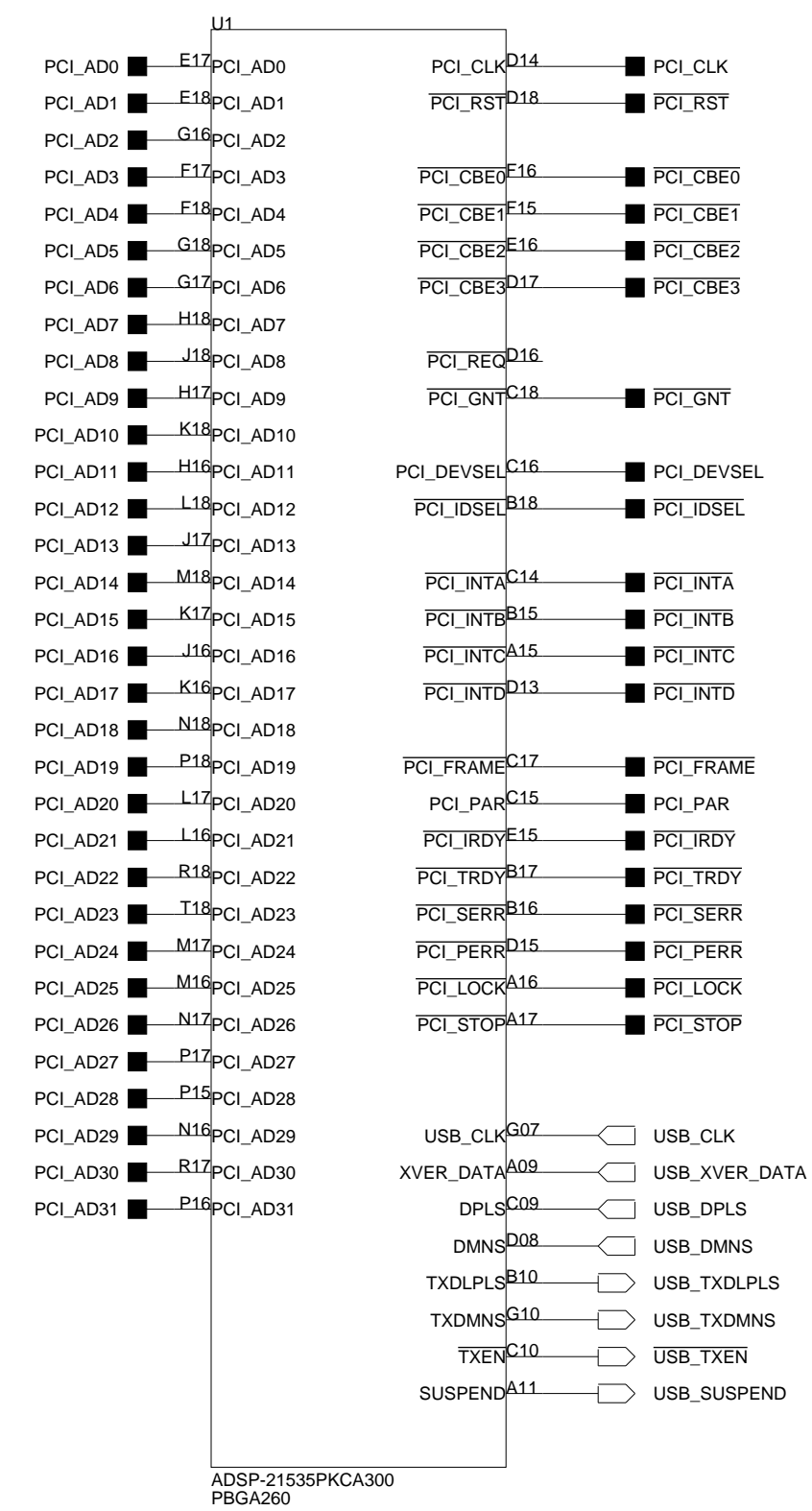
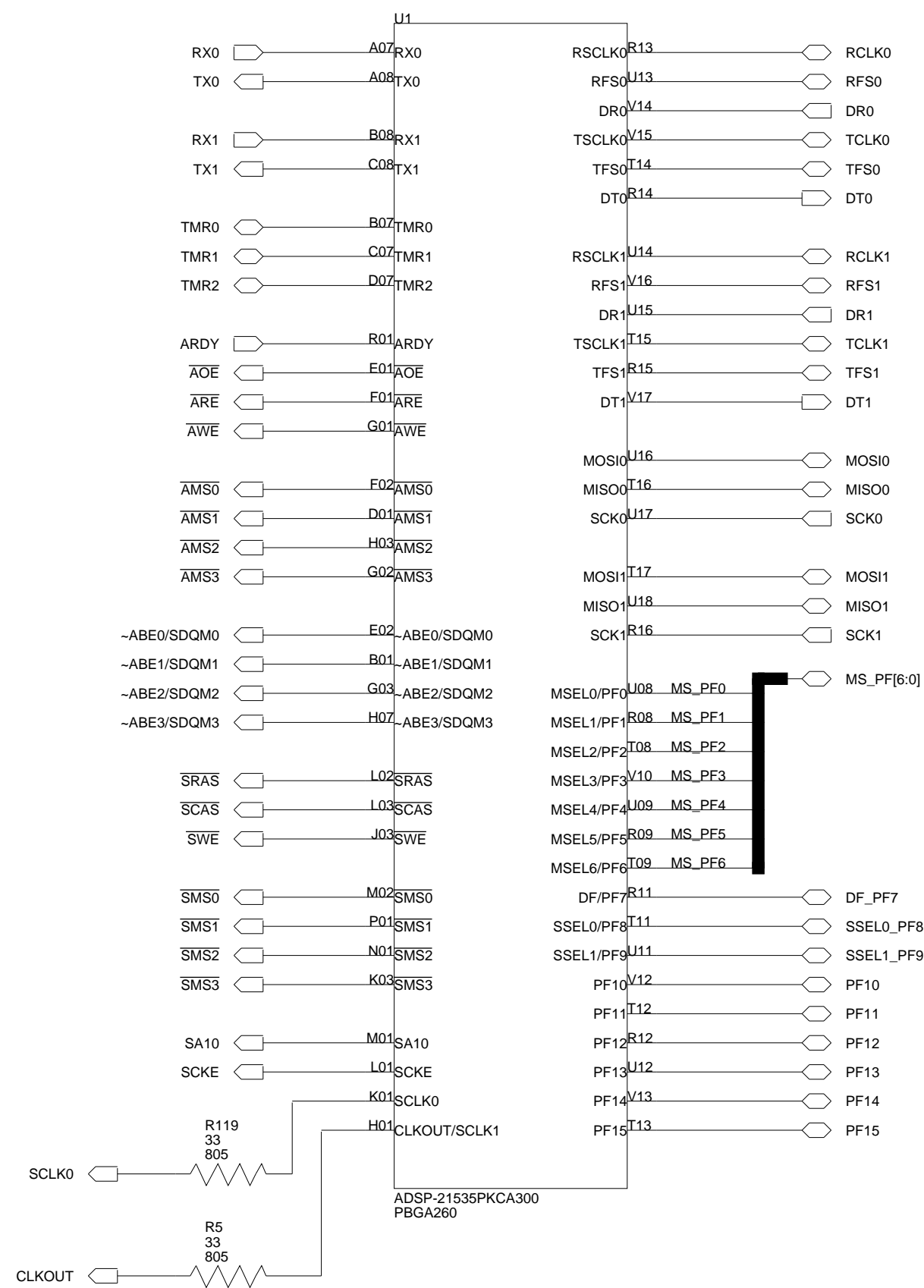
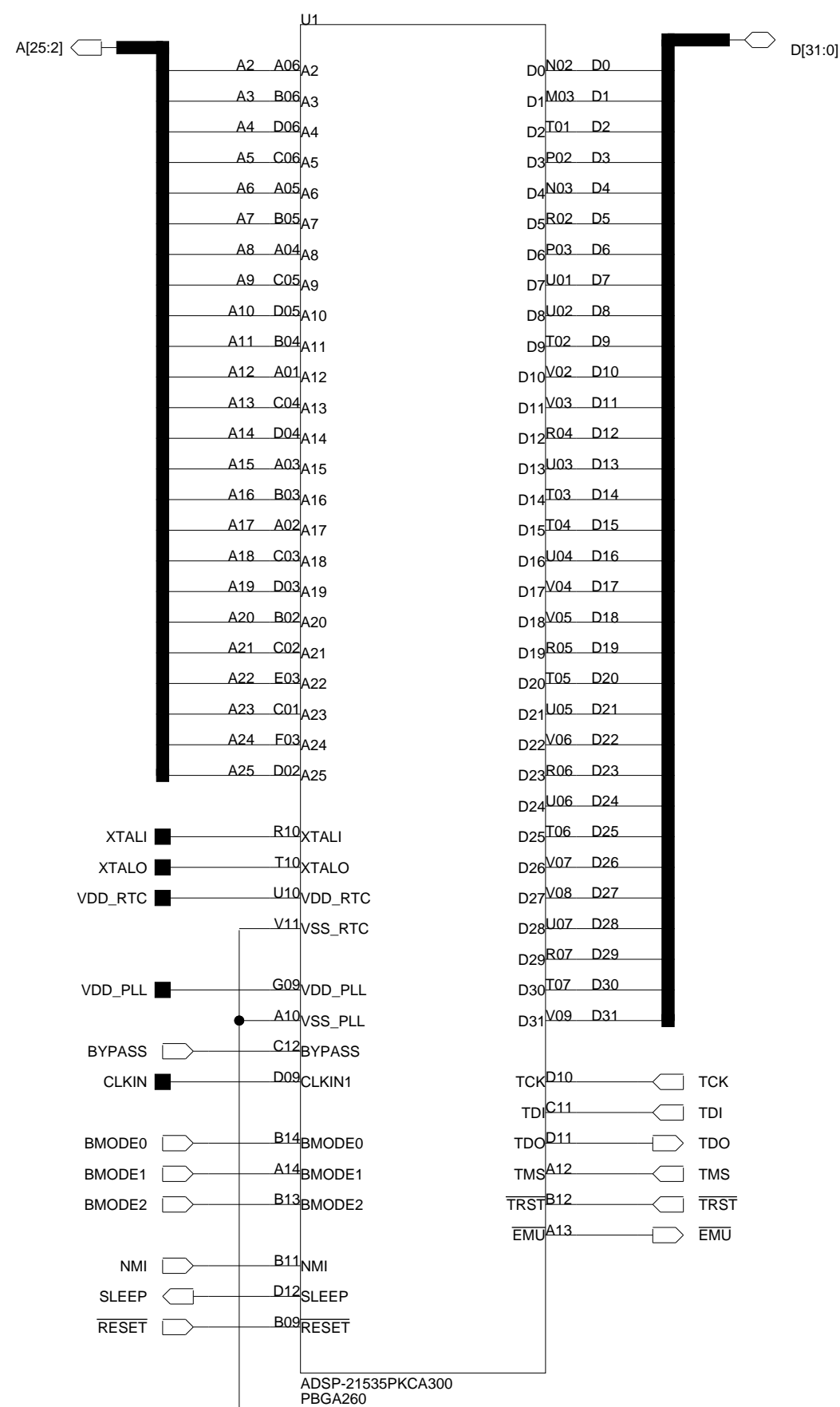
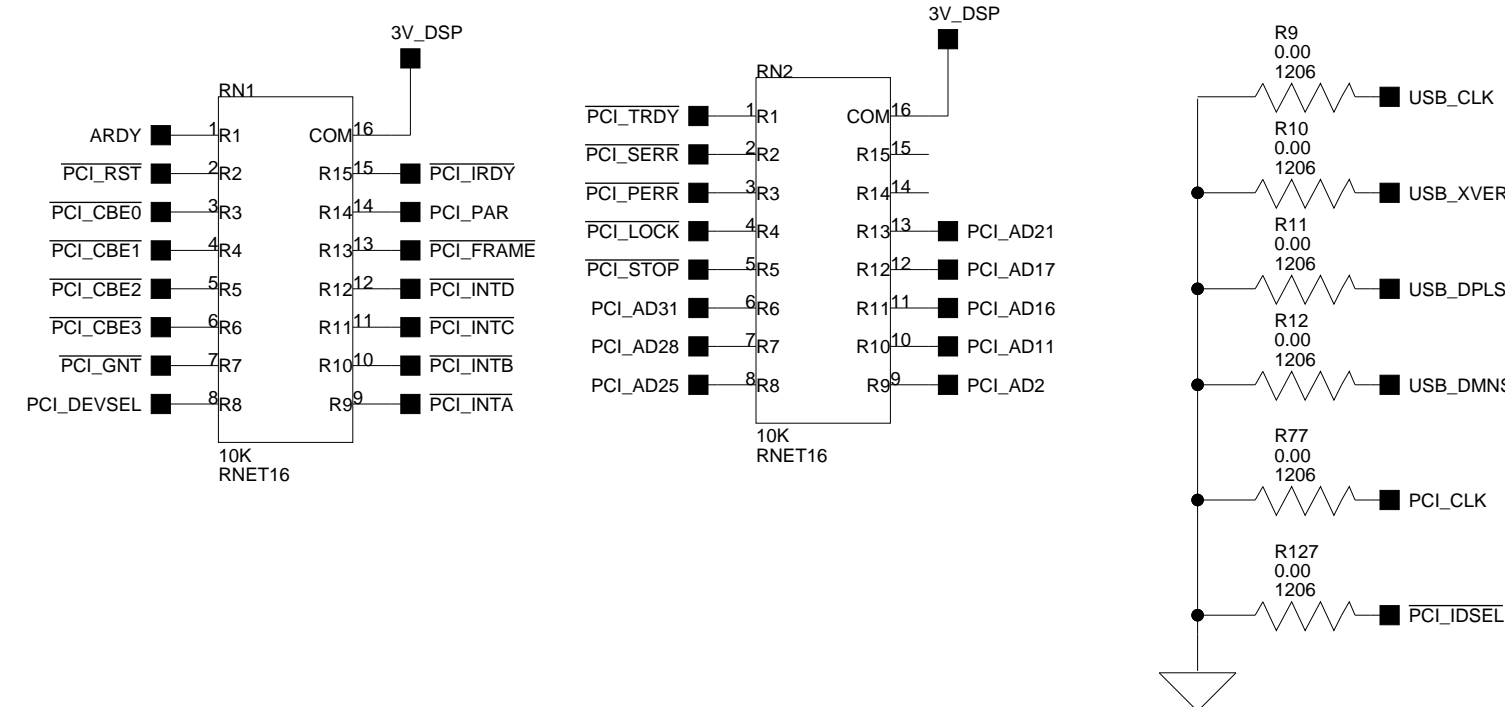
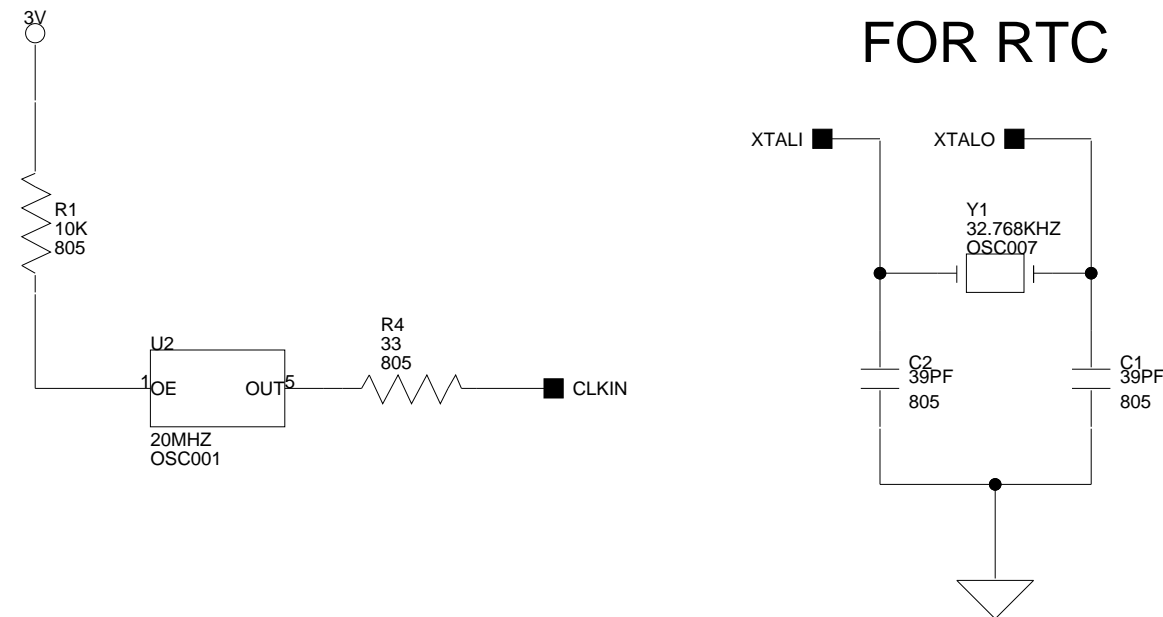
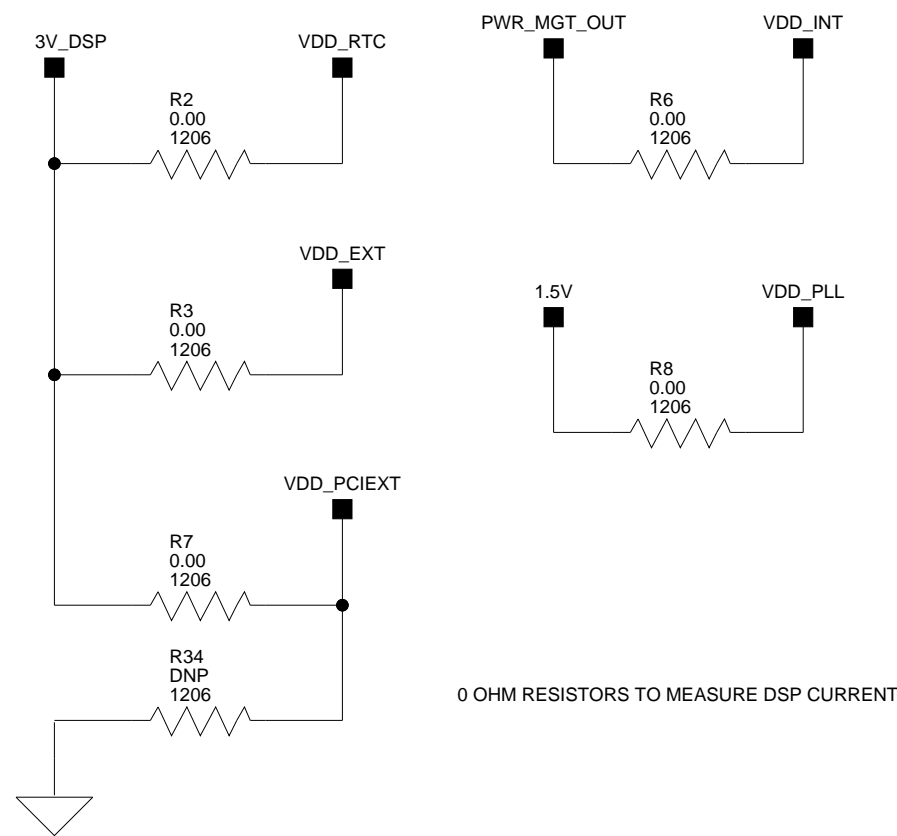
Approvals	Date
Drawn	5/11/02
Checked	
Engineering	

A

B

C

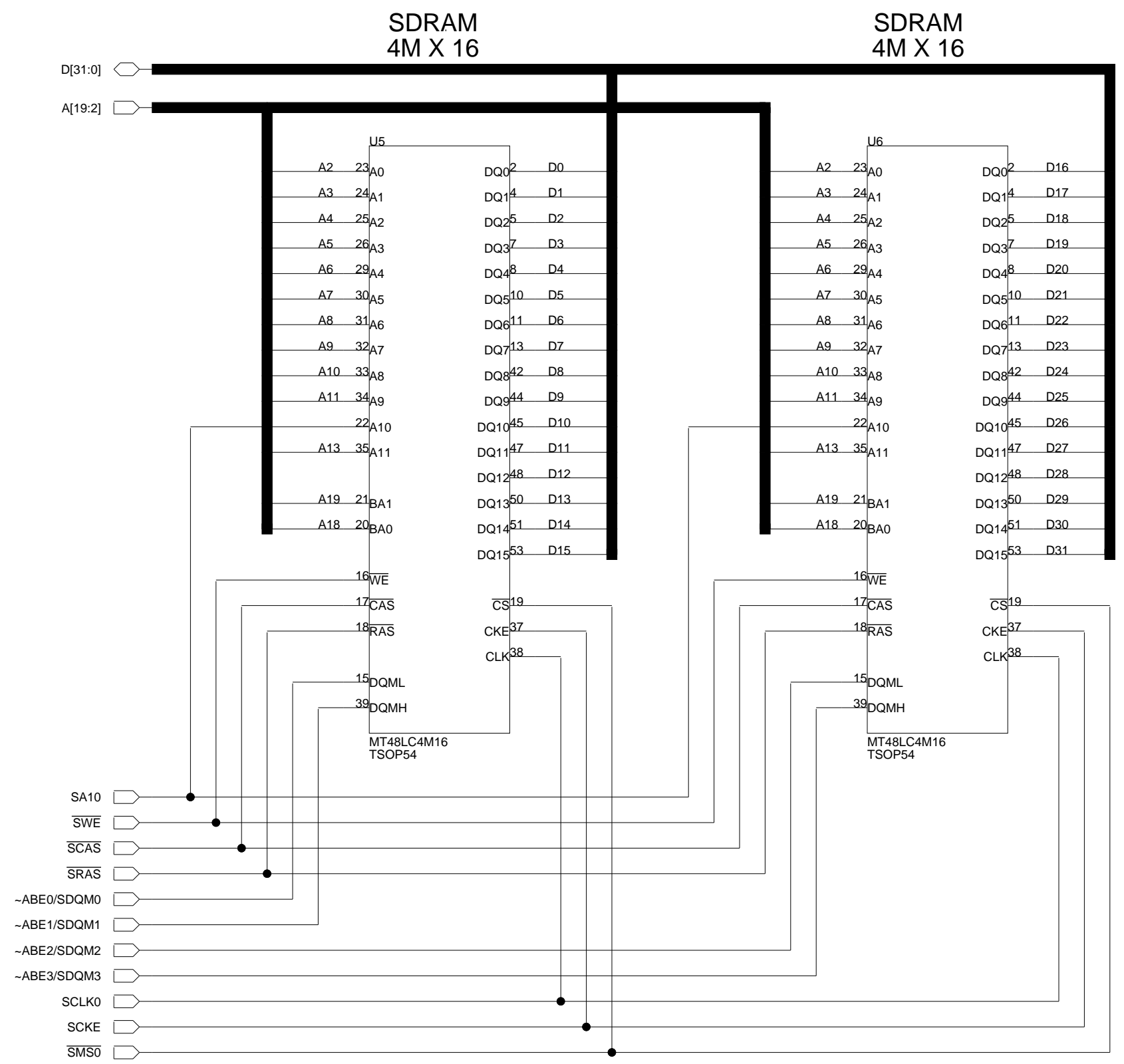
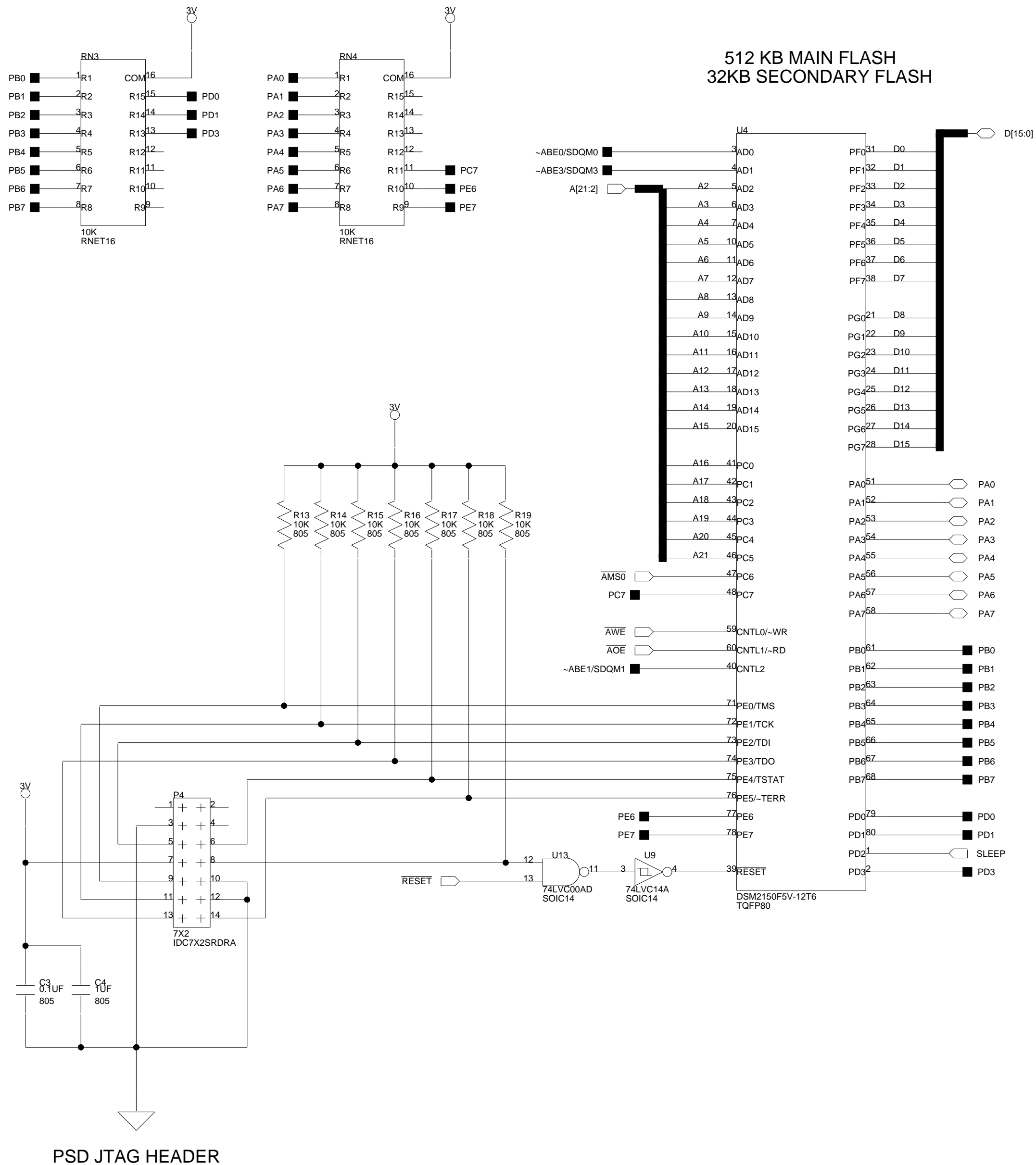
D




ANALOG DEVICES

20 Cotton Road
Nashua, NH 03063
PH: 1-800-ANALOGD

Approvals		Date		Title	
Drawn		5/11/02		ADSP-21535 EZ-KIT LITE - DSP	
Checked		Engineering		Size C	Board No. A0162-2000
Engineering		Date		5-3-2002_12:31	Rev 1.4
Sheet				2 of 10	



		20 Cotton Road Nashua, NH 03063 PH: 1-800-ANALOGD	
		Title ADSP-21535 EZ-KIT LITE - DSP MEMORY	
Approvals Drawn Checked Engineering	Date 5/11/02	Size C Board No. A0162-2000	Rev 1.4
Date 5-3-2002_12:31		Sheet 3 of 10	

SJ2
SHORTING
JUMPER
DEFAULT=4 & 6

SJ1
SHORTING
JUMPER
DEFAULT=3 & 5

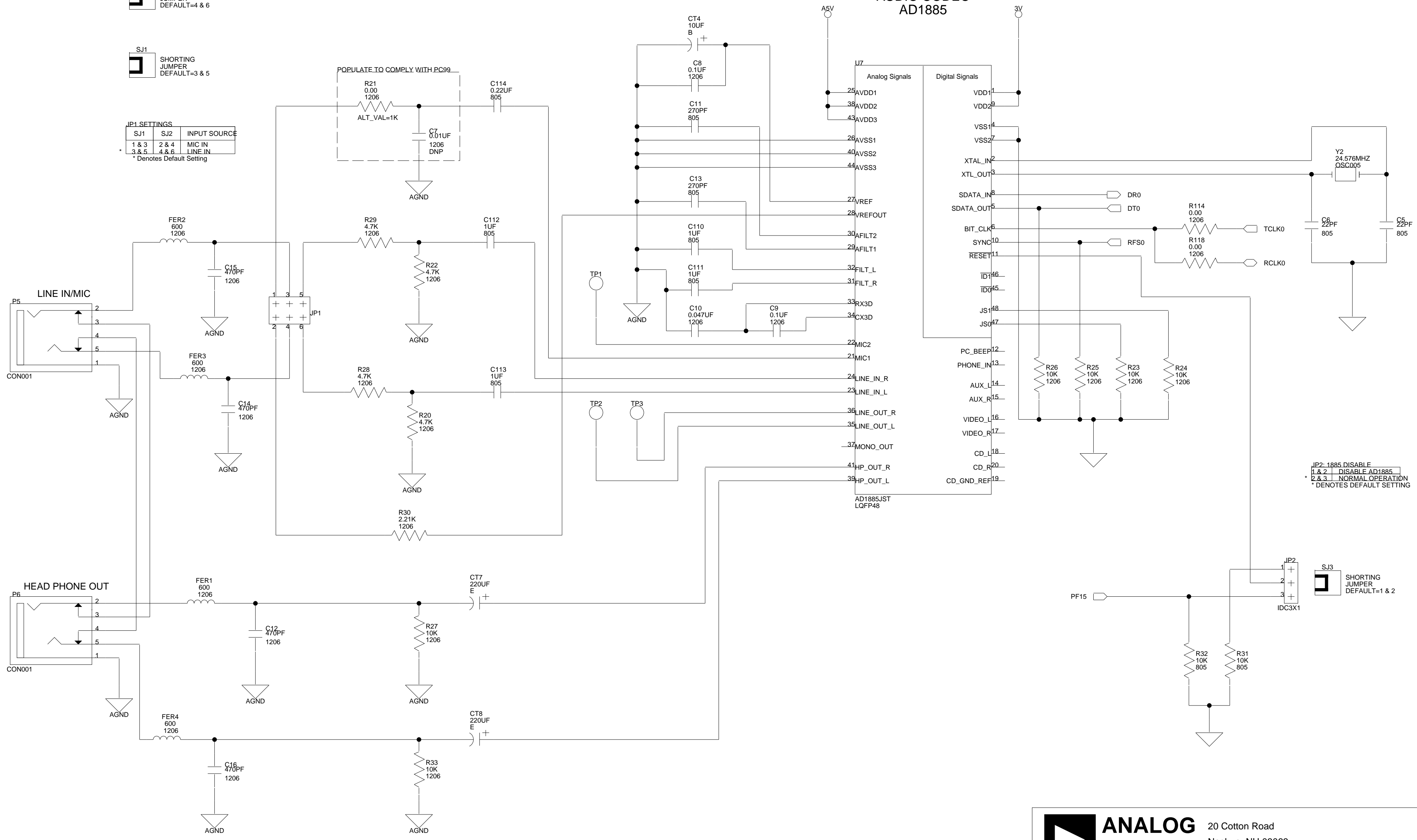
JP1 SETTINGS

SJ1	SJ2	INPUT SOURCE
1 & 3	2 & 4	MIC IN
3 & 5	4 & 6	LINE IN

* Denotes Default Setting

POPULATE TO COMPLY WITH PC99

**AUDIO CODEC
AD1885**



JP2- 1885 DISABLE

1 & 2	DISABLE AD1885
2 & 3	NORMAL OPERATION

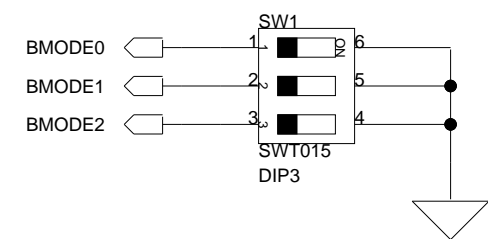
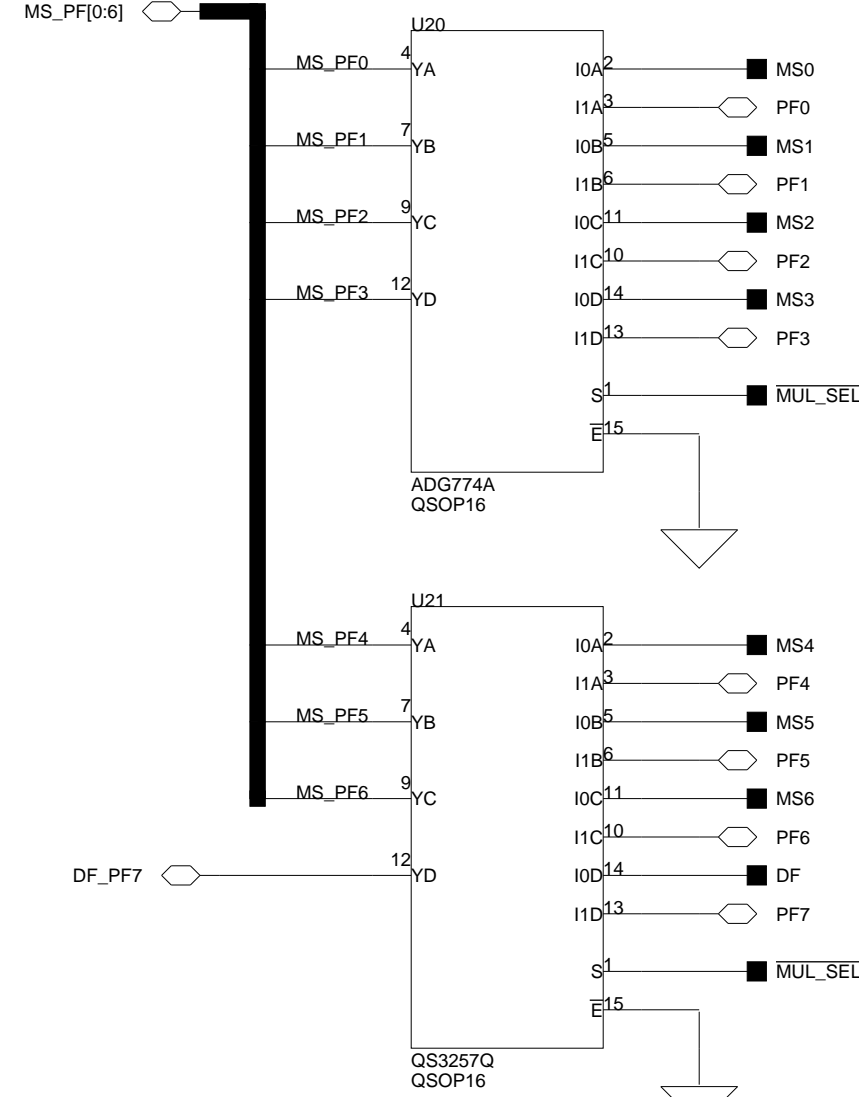
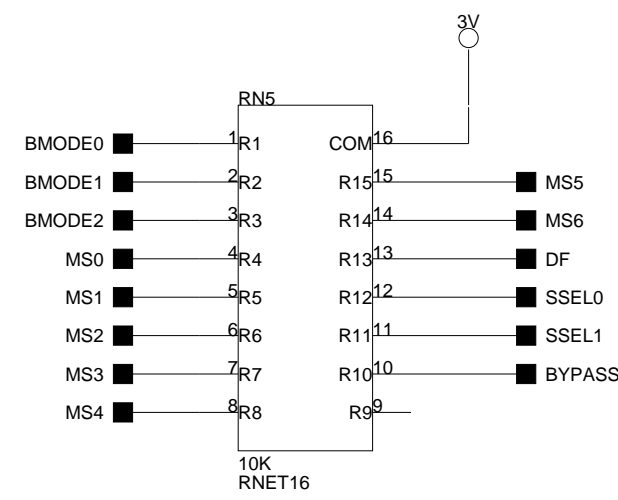
* DENOTES DEFAULT SETTING

SJ3
SHORTING
JUMPER
DEFAULT=1 & 2

ANALOG DEVICES

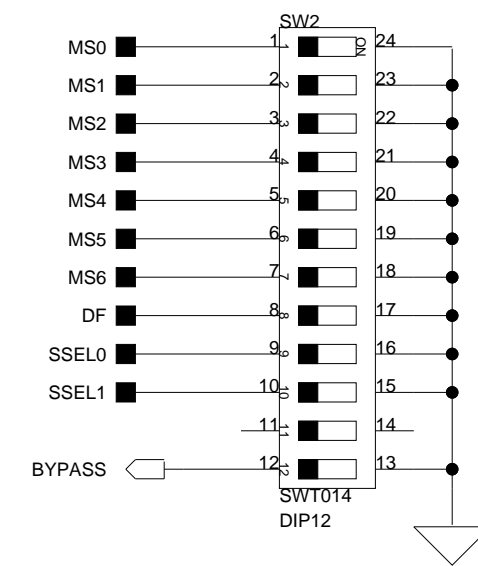
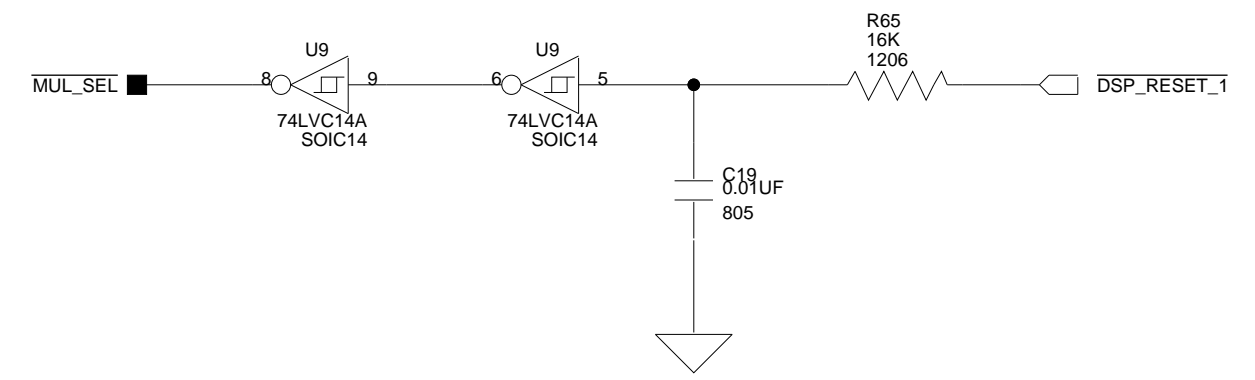
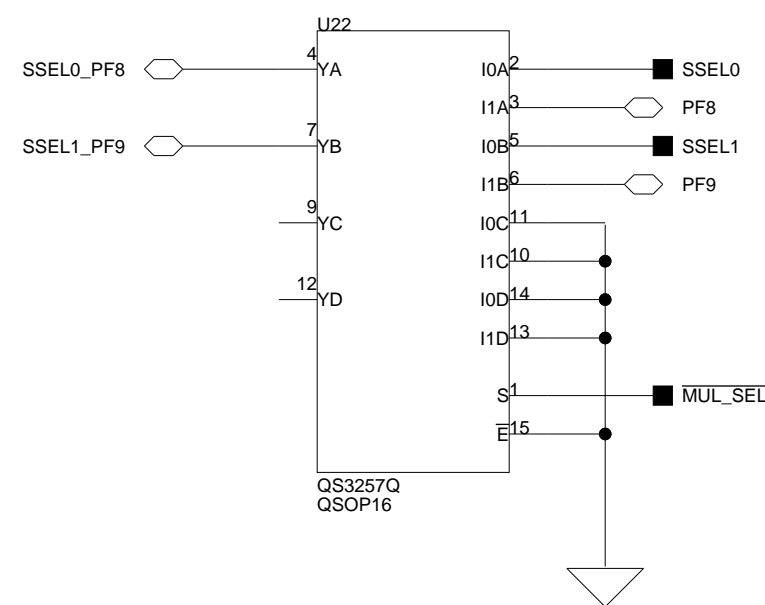
20 Cotton Road
Nashua, NH 03063
PH: 1-800-ANALOGD

Approvals		Date		Title	
Drawn		5/11/02		ADSP-21535 EZ-KIT LITE - AUDIO CODEC	
Checked				Size C	Board No.
Engineering				A0162-2000	Rev 1.4
Date			Sheet		
5-3-2002_12:31			4 of 10		



SW1 SETTINGS: BOOT MODE SELECTION			
BMODE2	BMODE1	BMODE0	BOOT MODE
ON	ON	ON	EXECUTE 16-BIT EXTERNAL
ON	ON	OFF	8-BITS ROM
ON	OFF	ON	SPI0 ROM (8-BIT ADDRESS)
ON	OFF	OFF	SPI0 ROM (16-BIT ADDRESS)
OFF	-	-	ALL OTHERS RESERVED

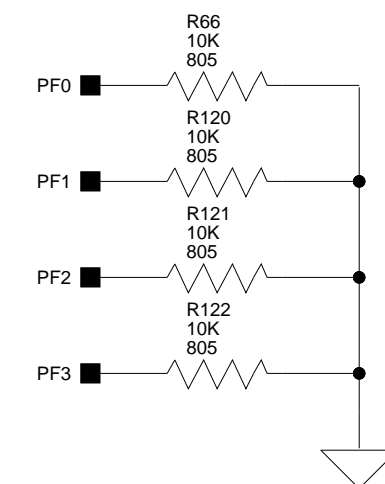
* = DEFAULT



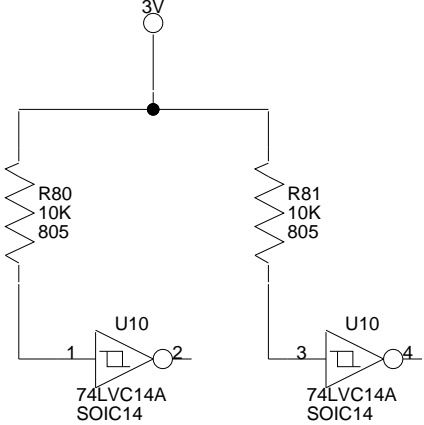
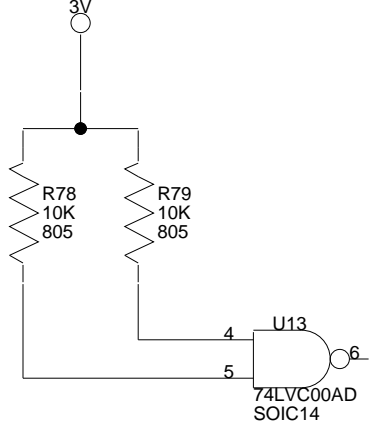
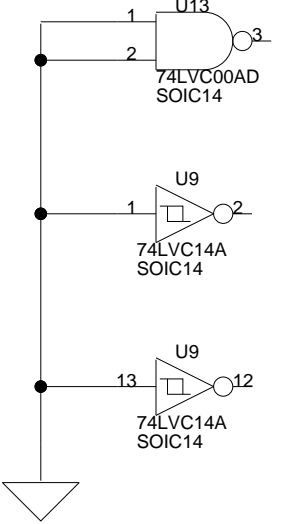
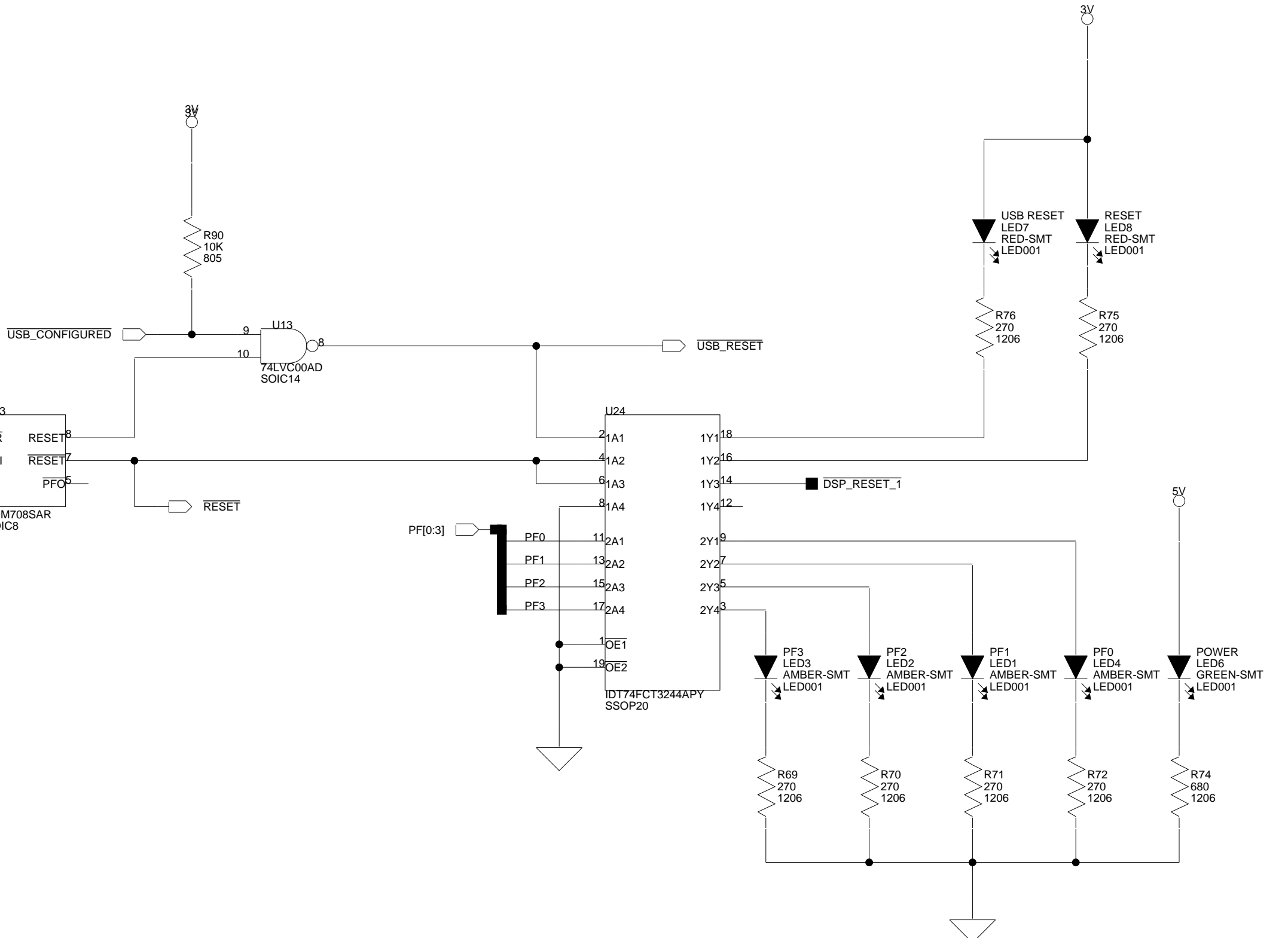
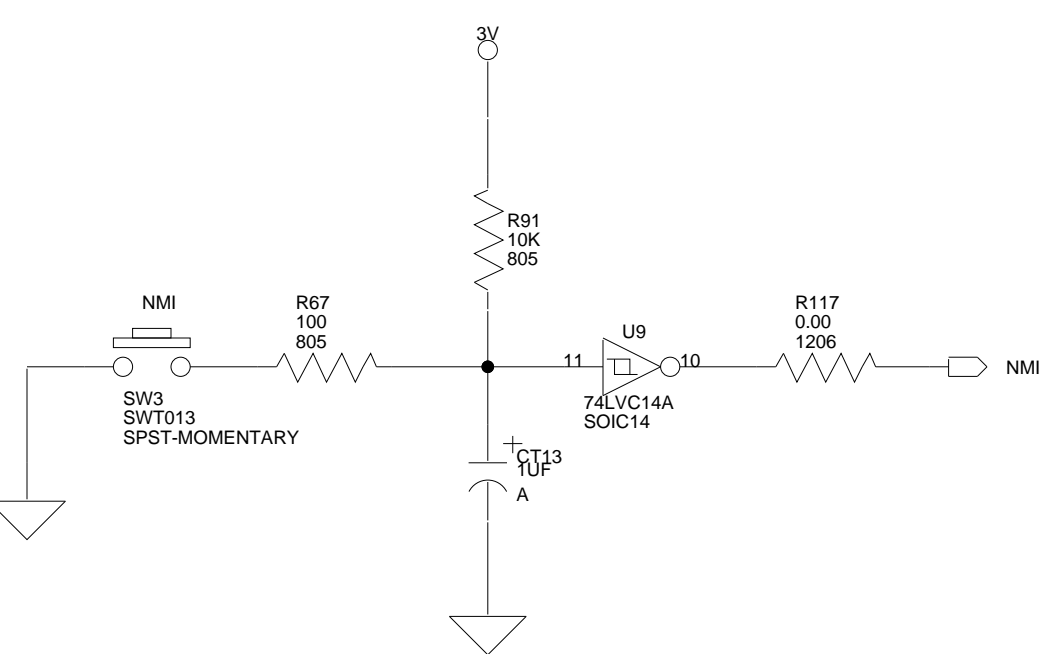
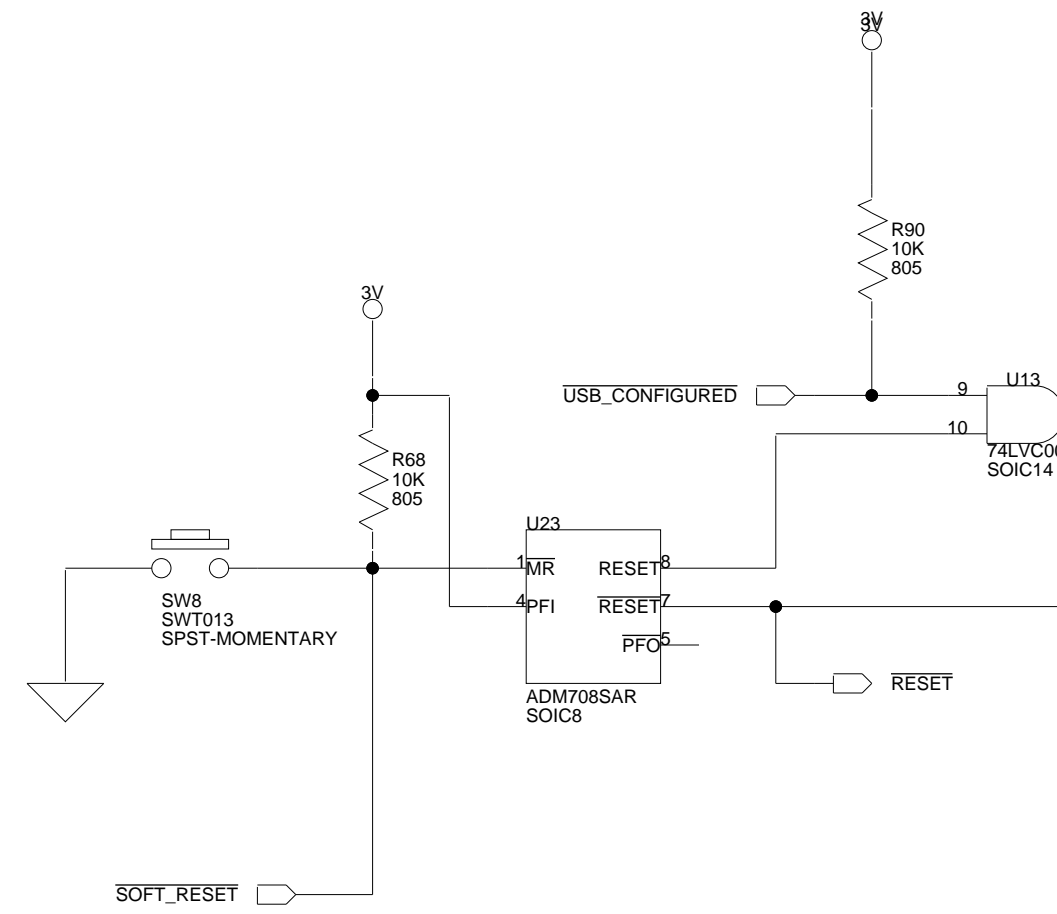
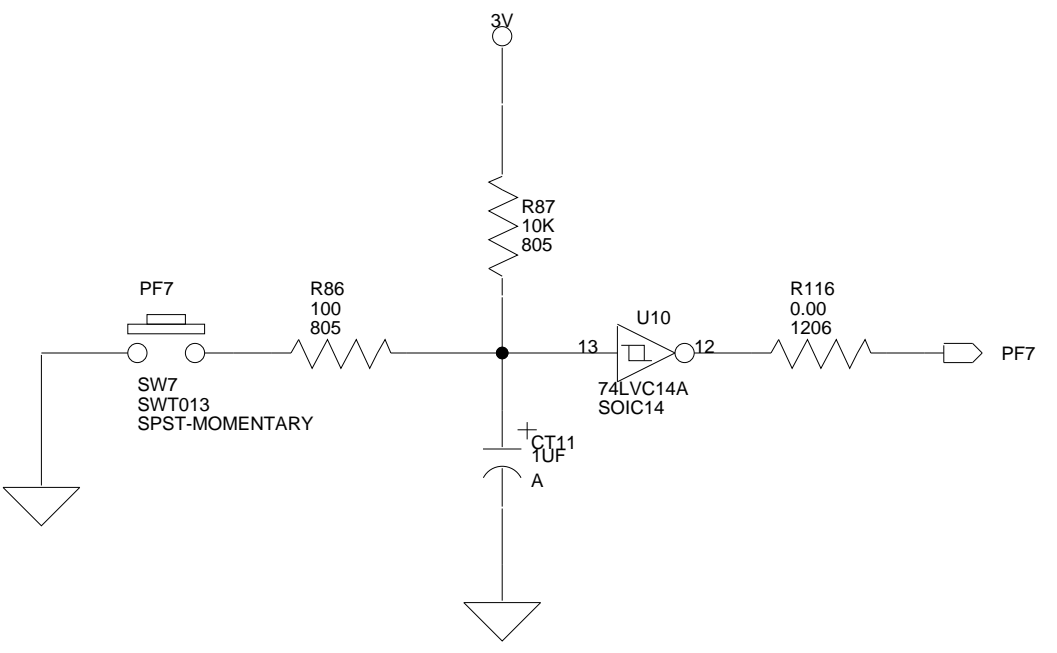
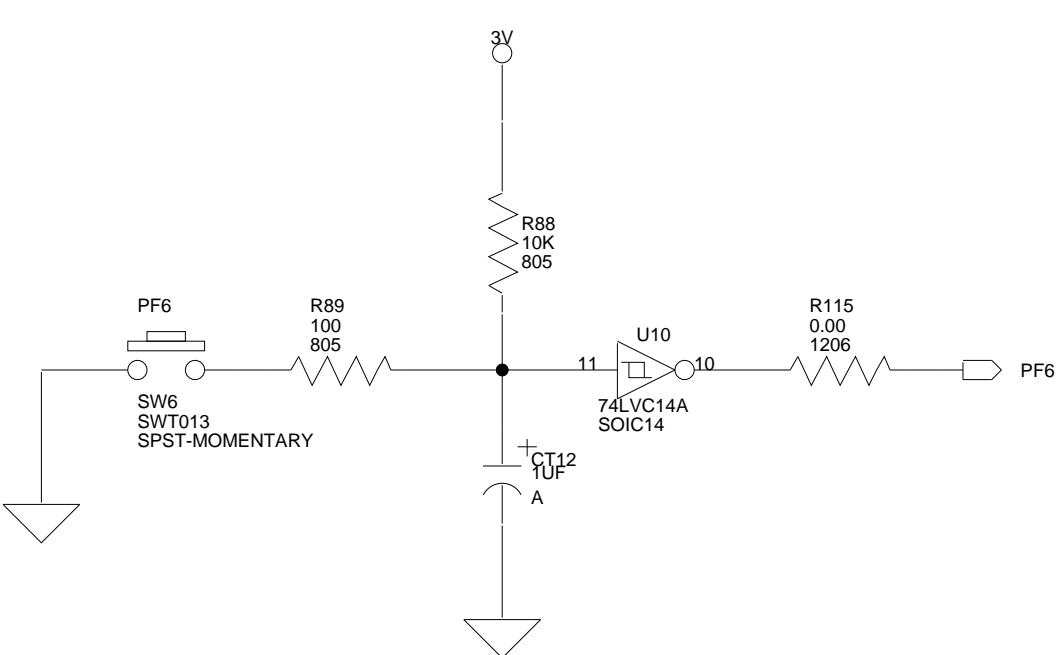
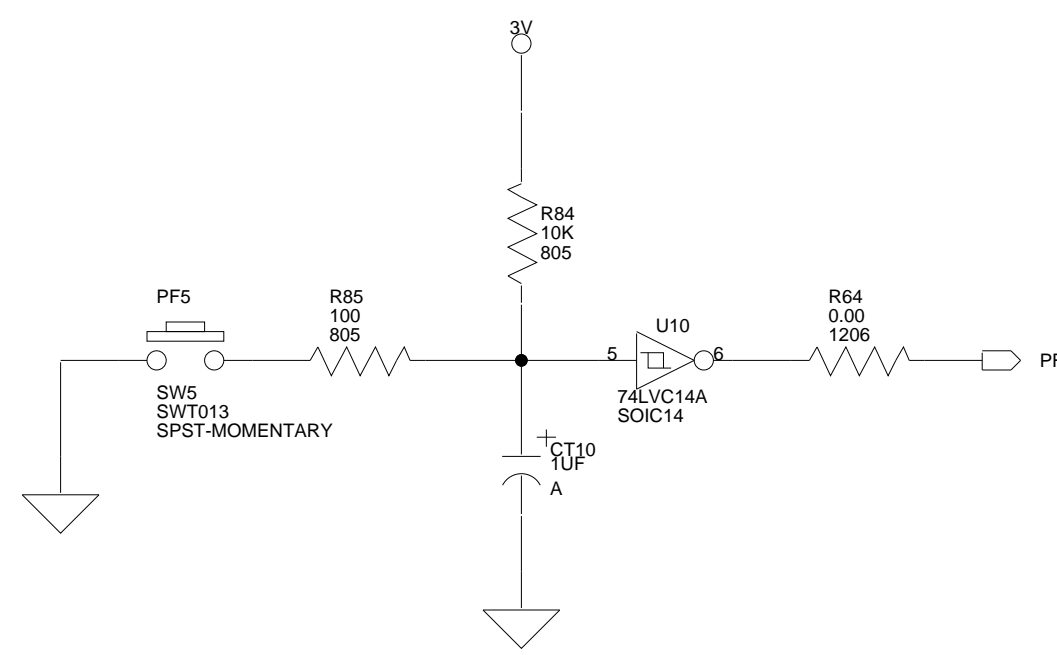
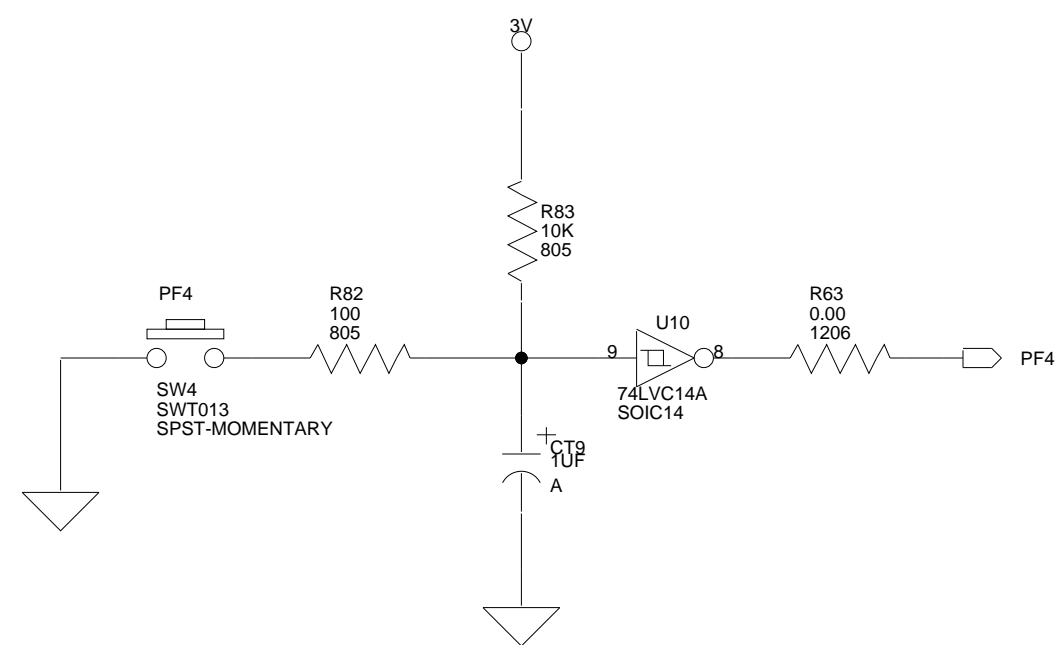
SW2: CLOCK MULTIPLIER SELECT SWITCH											
1	2	3	4	5	6	7	8	9	10	11	12
OFF	OFF	OFF	OFF	OFF	ON	ON	ON	ON	OFF	ON	ON

DEFAULT SETTINGS:
 Internal Clock - 15:1 - 300MHZ
 External Clock - 2.5:1 - 120MHZ

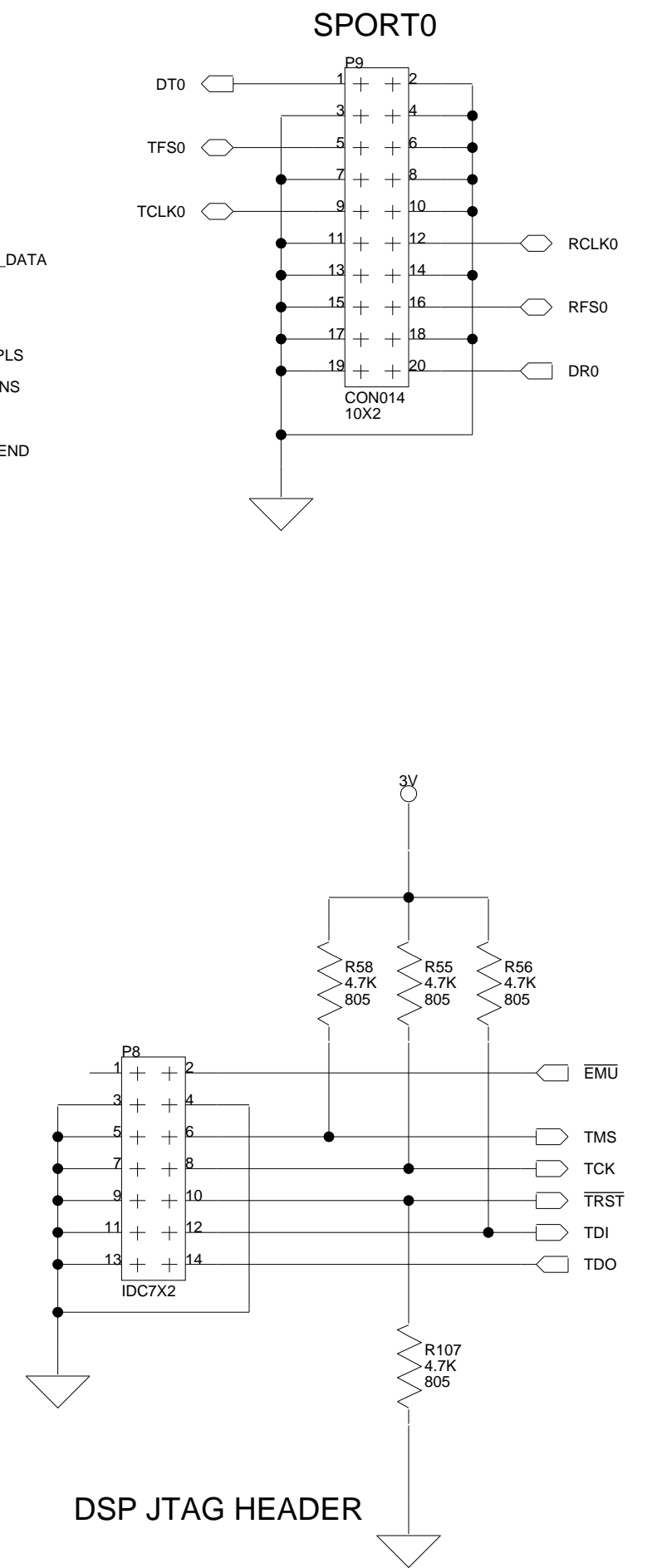
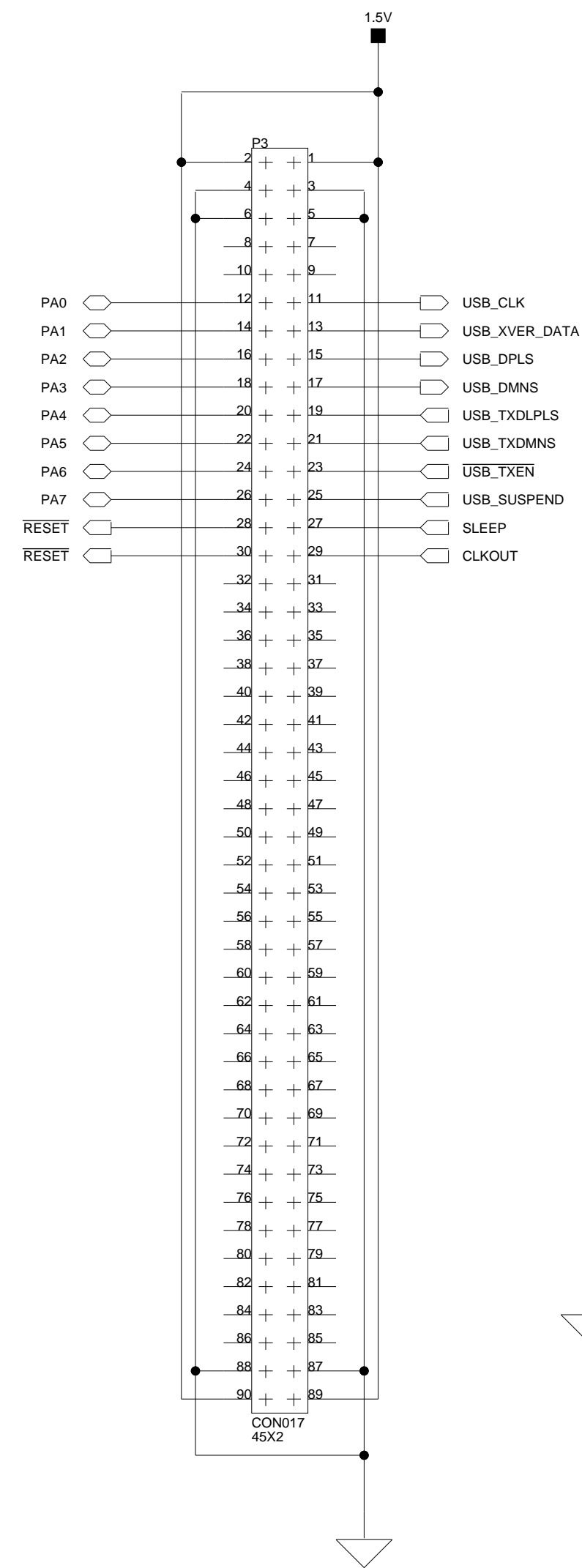
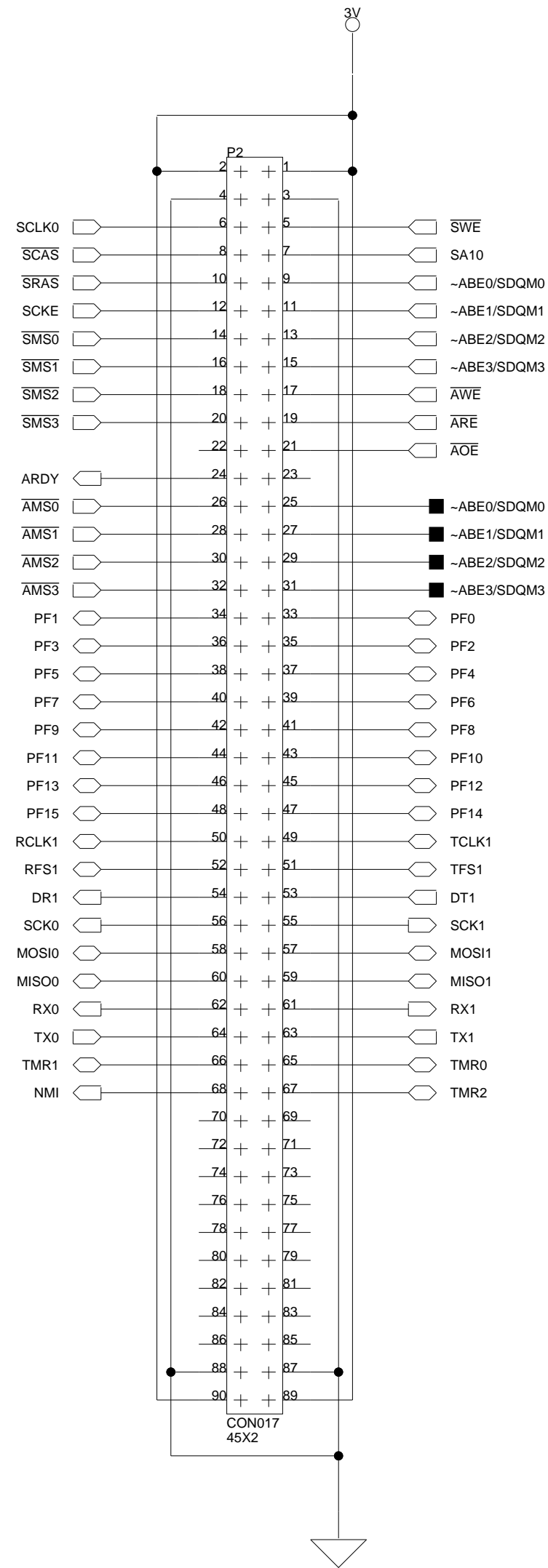
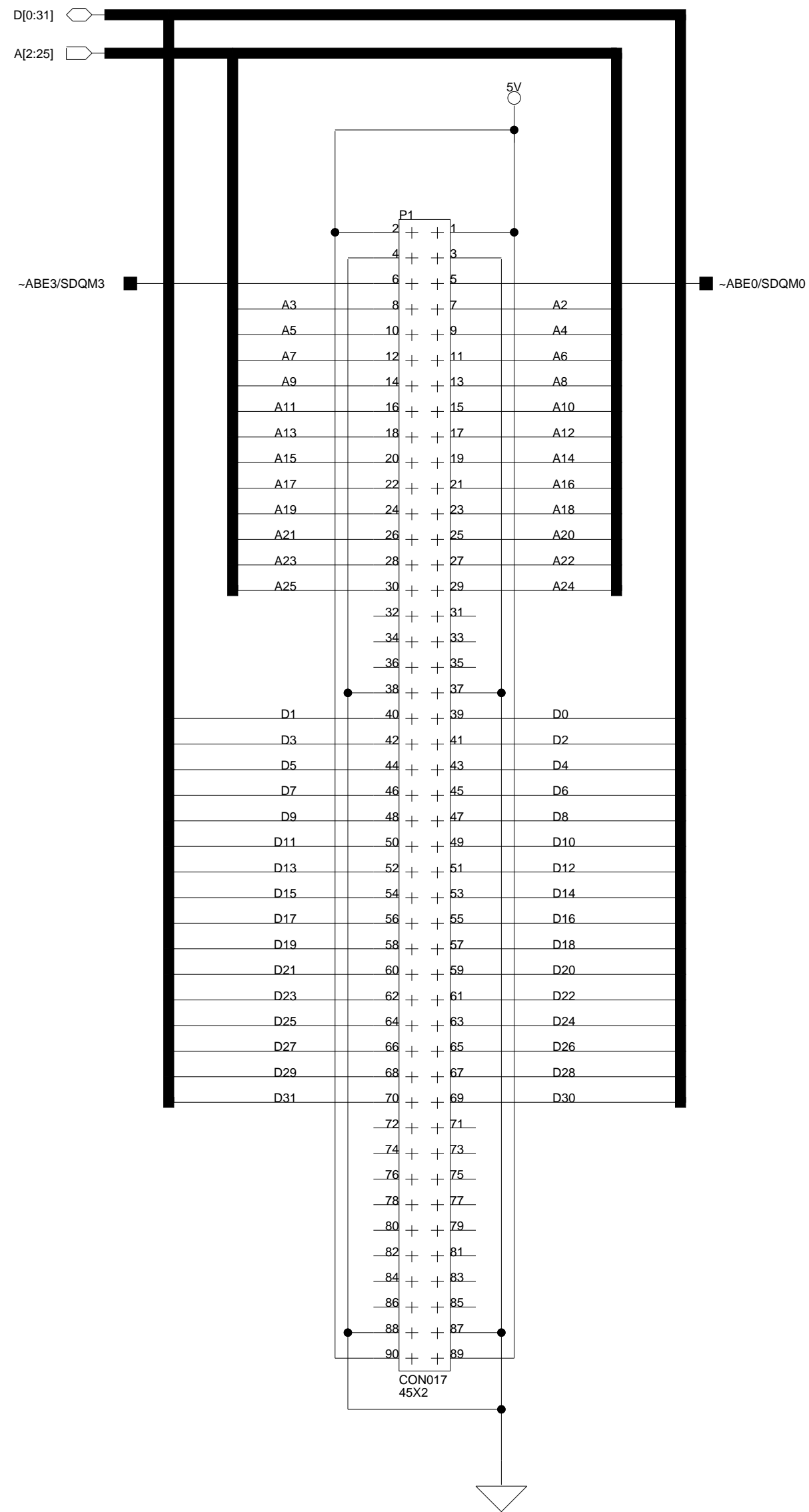
REFER TO DSP HARDWARE REFERENCE FOR
 DETAILED SETTING INFORMATION

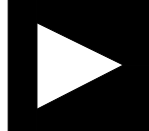


		20 Cotton Road Nashua, NH 03063 PH: 1-800-ANALOGD		
		Title ADSP-21535 EZ-KIT LITE - CONFIG		
Approvals Drawn Checked Engineering	Date 5/11/02	Size C	Board No. A0162-2000	Rev 1.4
Date 5-3-2002_12:31		Sheet 5 of 10		



		20 Cotton Road Nashua, NH 03063 PH: 1-800-ANALOGD		
		Title ADSP-21535 EZ-KIT LITE - RESET/PB/LED		
Approvals	Date 5/11/02	Size C	Board No. A0162-2000	Rev 1.4
Drawn		Date 5-3-2002_12:31	Sheet 6 of 10	
Checked				
Engineering				

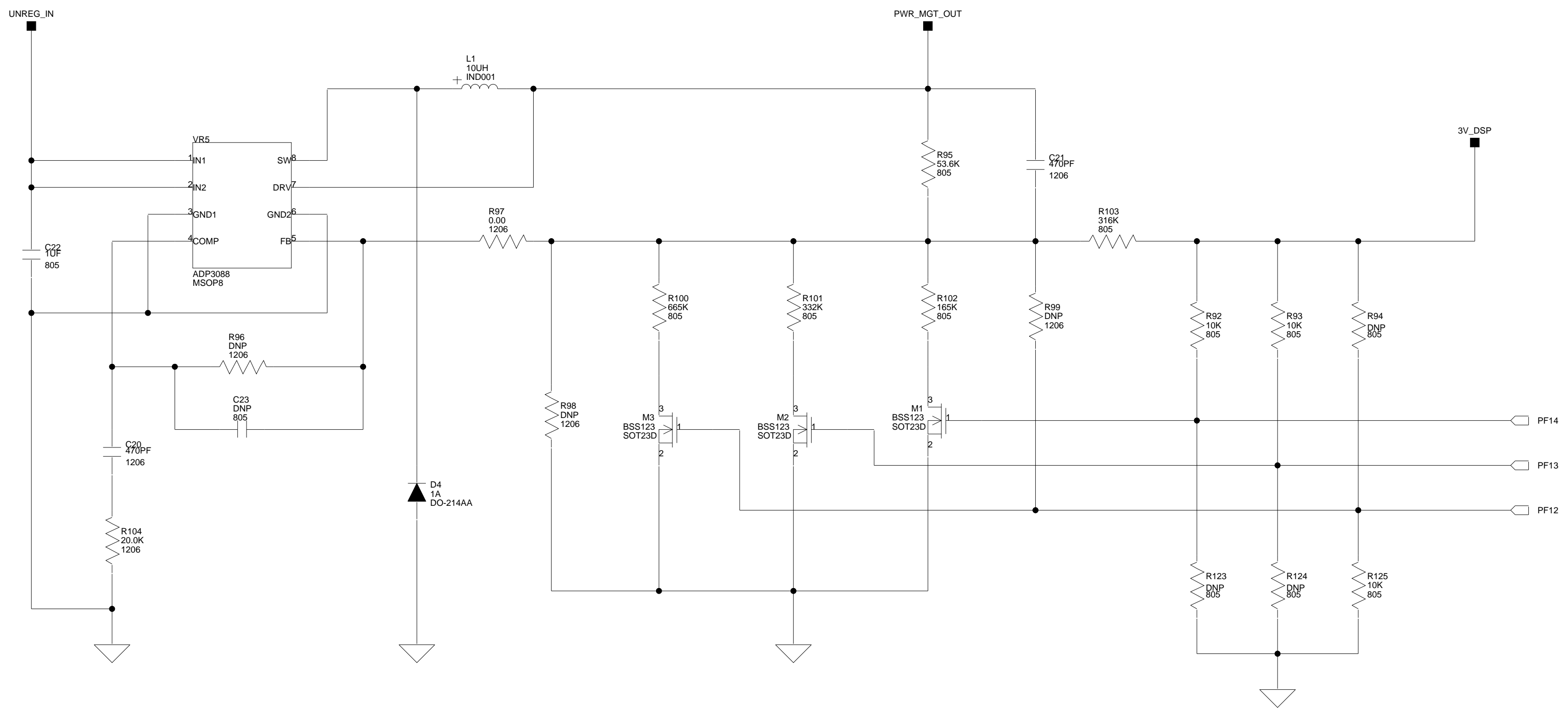


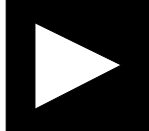
 ANALOG DEVICES 20 Cotton Road Nashua, NH 03063 PH: 1-800-ANALOGD		Title		ADSP-21535 EZ-KIT LITE - CONNECTORS	
		Size C	Board No.	A0162-2000	
Date		5-3-2002_12:31		Sheet 7 of 10	

Approvals	Date
Drawn	5/11/02
Checked	
Engineering	

PF14	PF13	PF12	VDD_INT
1	1	1	1.6V
1	1	0	1.5V *
1	0	1	1.4V
1	0	0	1.3V
0	1	1	1.2V
0	1	0	1.1V
0	0	1	1.0V
0	0	0	0.9V

* = DEFAULT
 WAIT 100uS FOR VOLTAGE TO SETTLE
 AFTER CHANGING PF11-9



 ANALOG DEVICES 20 Cotton Road Nashua, NH 03063 PH: 1-800-ANALOGD		Title		ADSP-21535 EZ-KIT LITE - POWER 1	
		Size	Board No.	Rev	
Date		5-3-2002_12:31		Sheet 8 of 10	

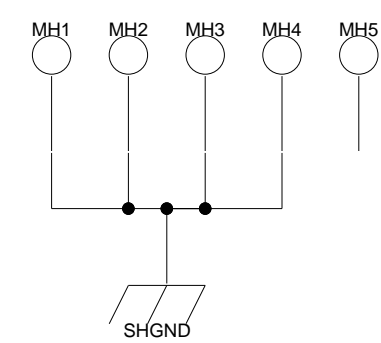
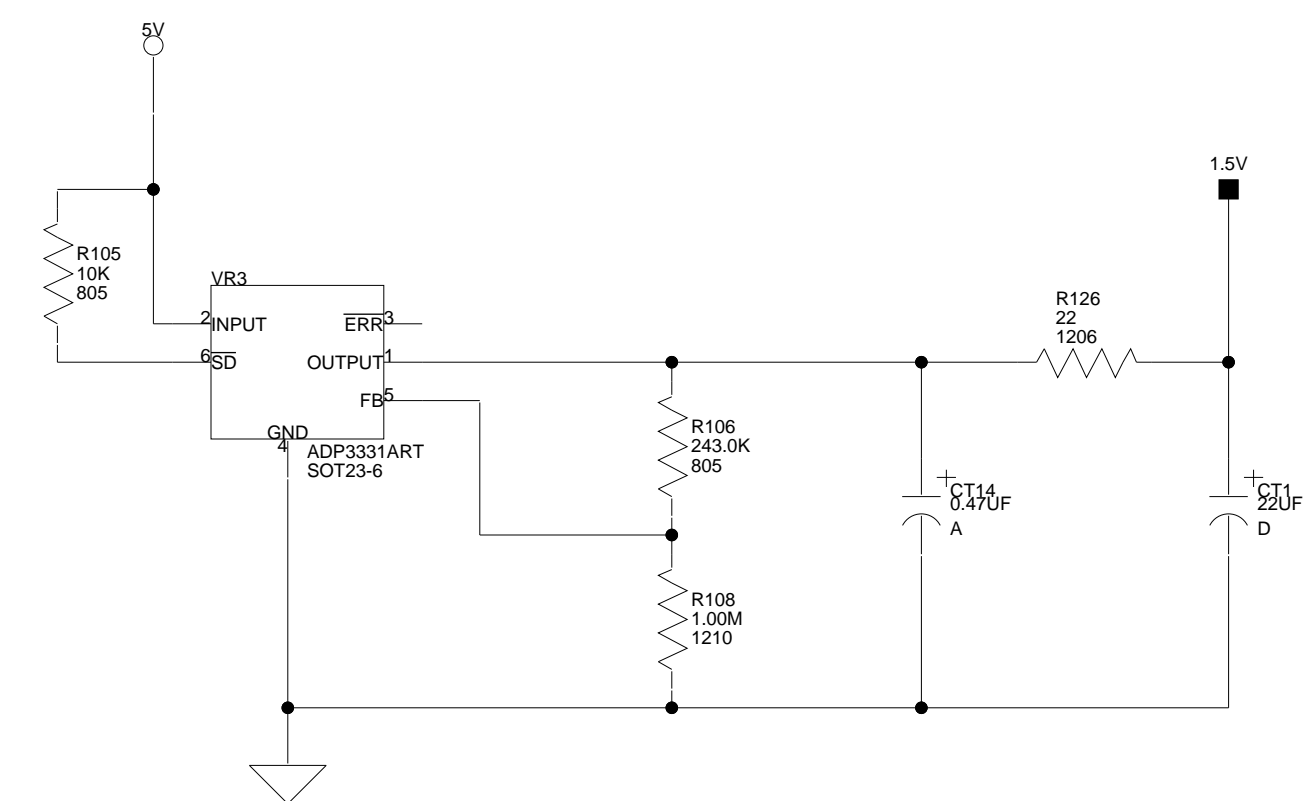
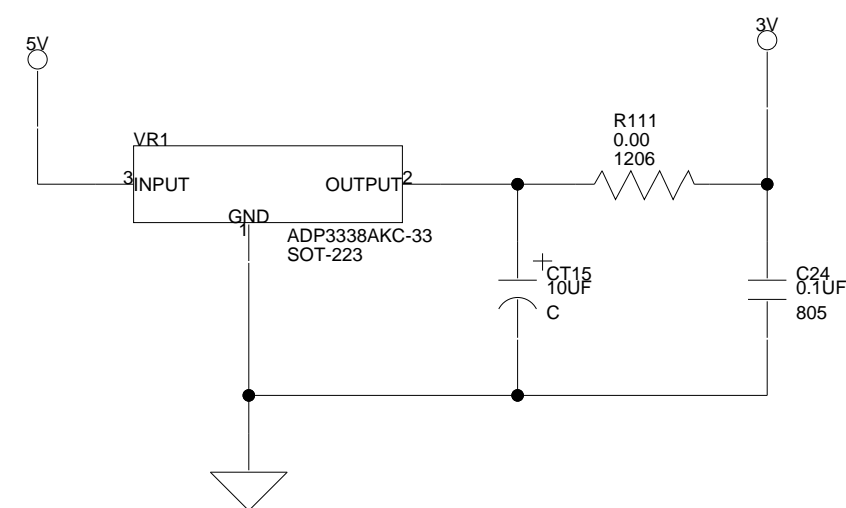
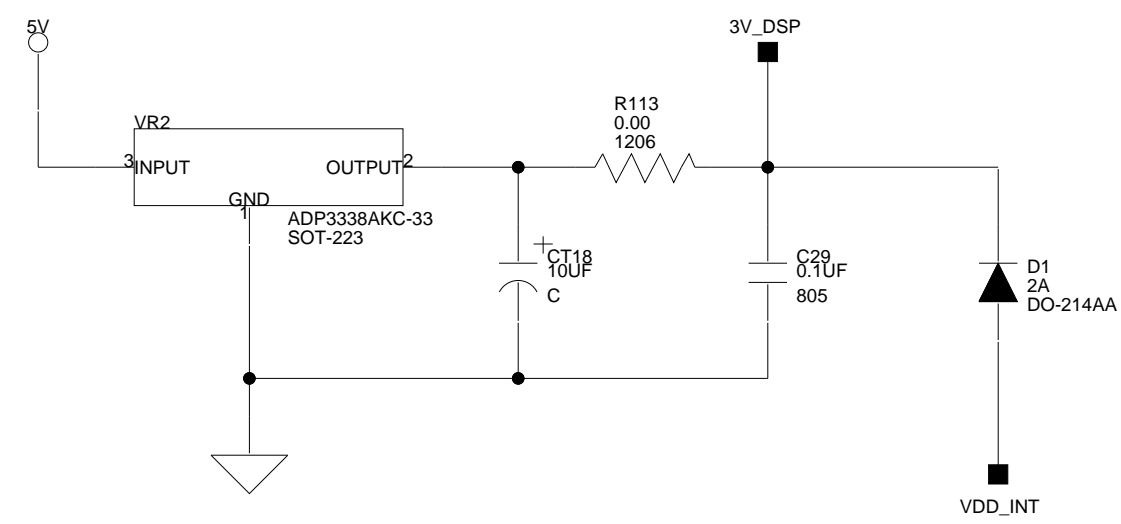
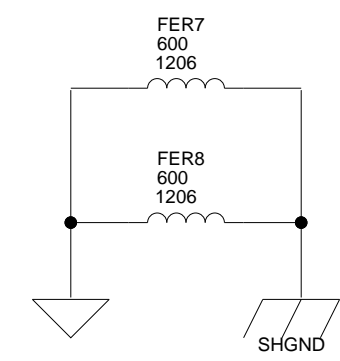
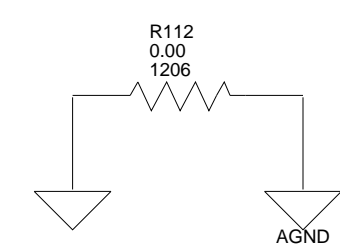
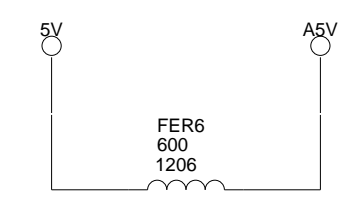
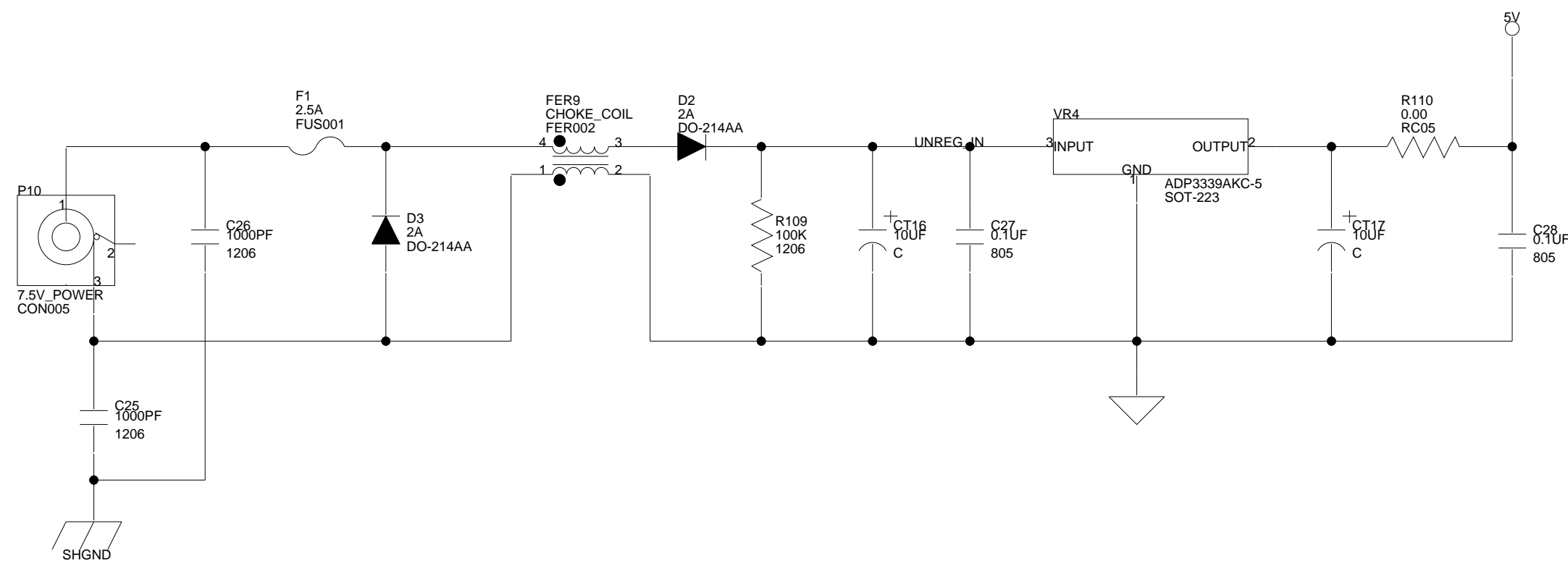
Approvals	Date
Drawn	5/11/02
Checked	
Engineering	

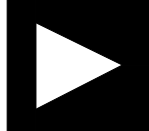
A

B

C

D



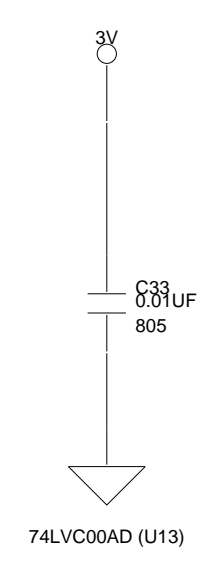
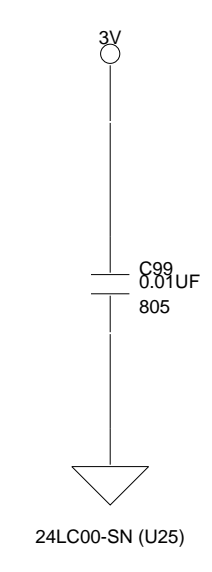
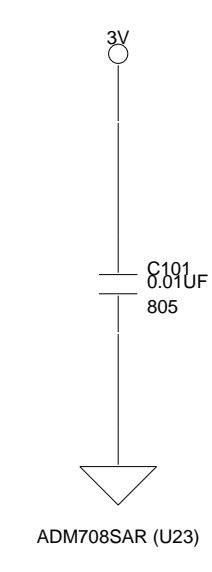
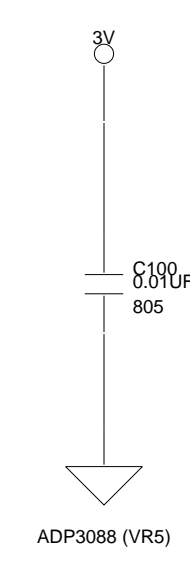
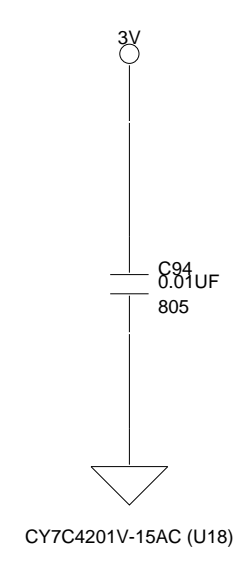
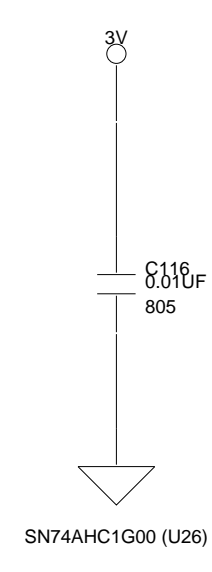
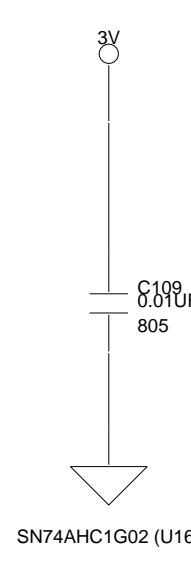
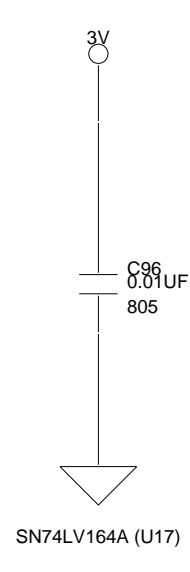
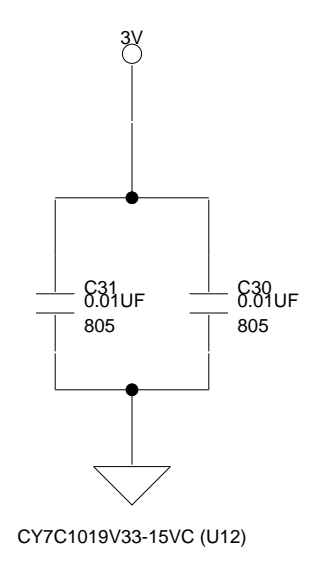
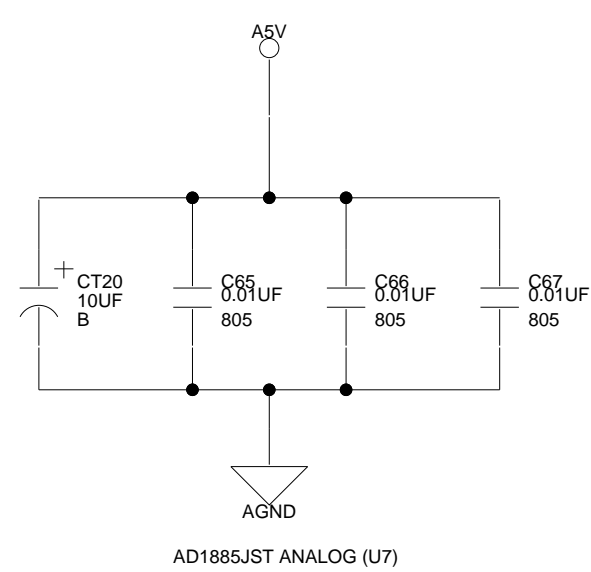
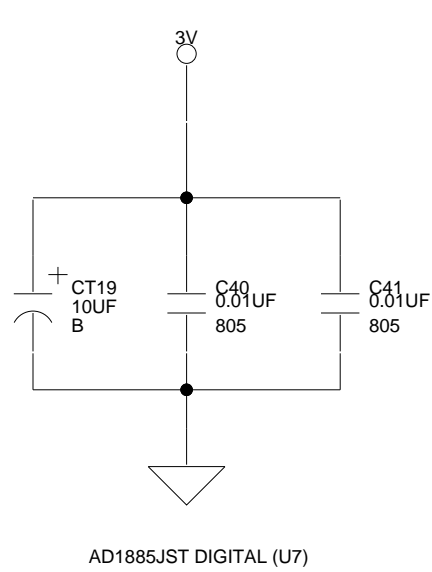
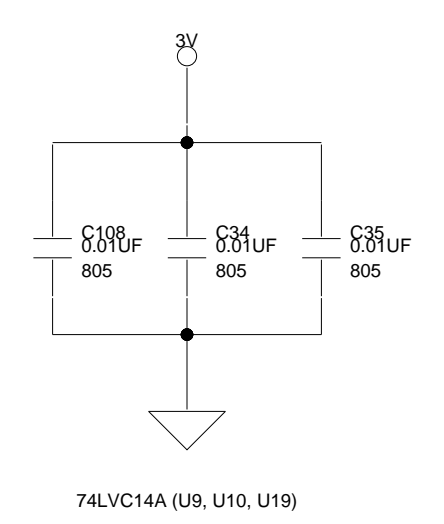
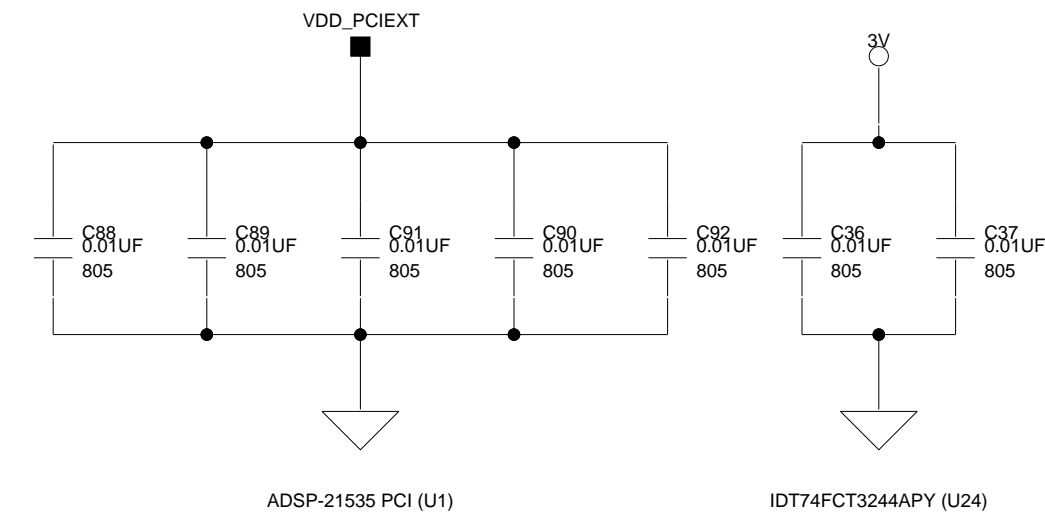
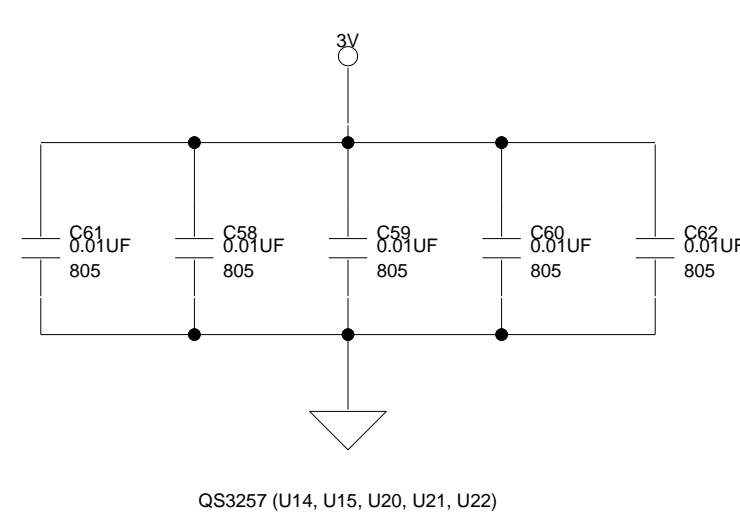
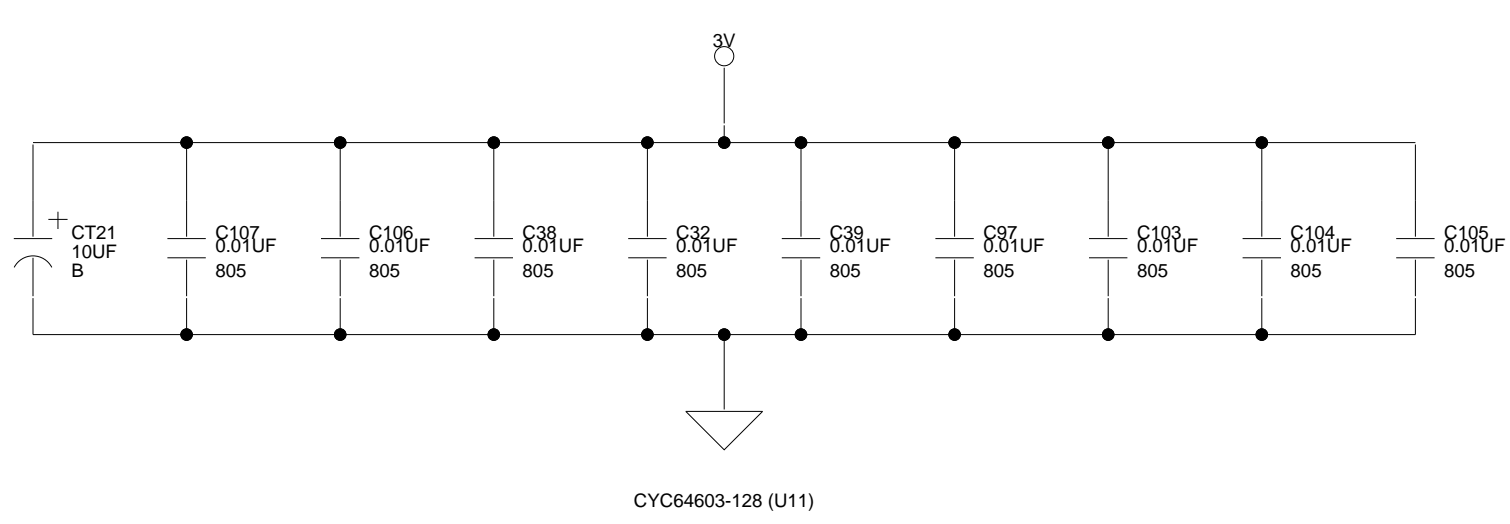
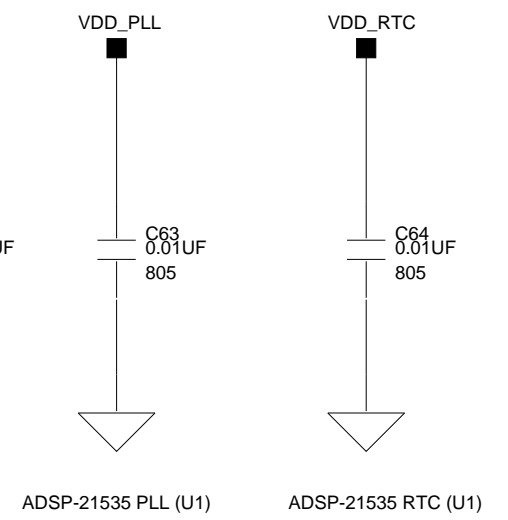
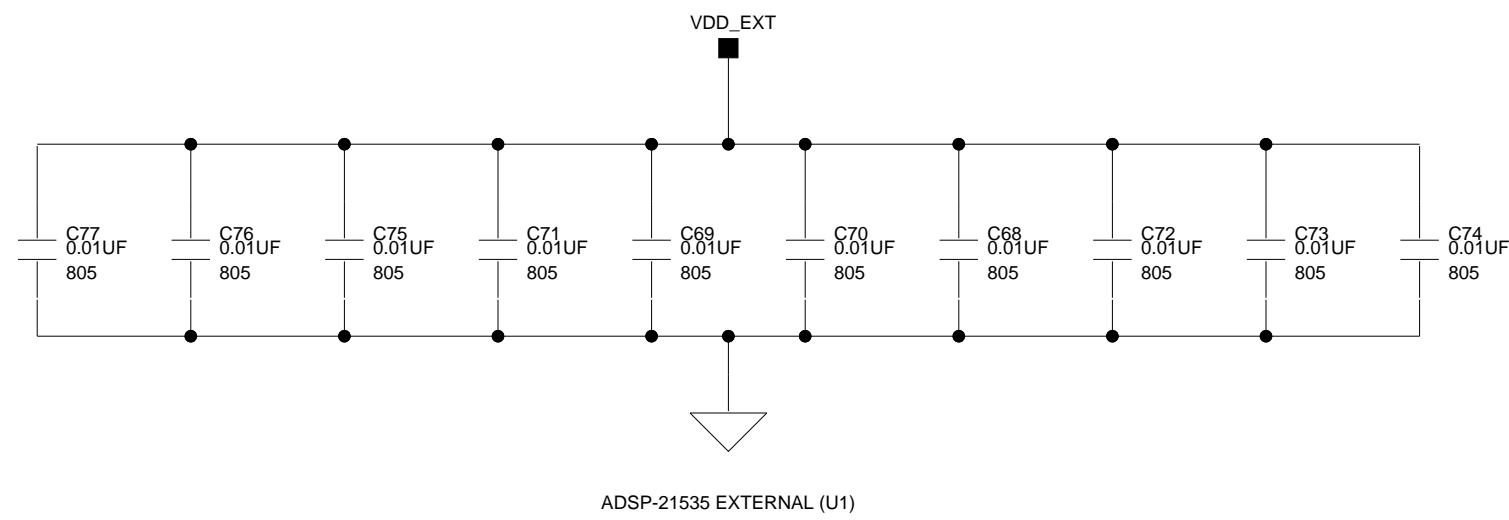
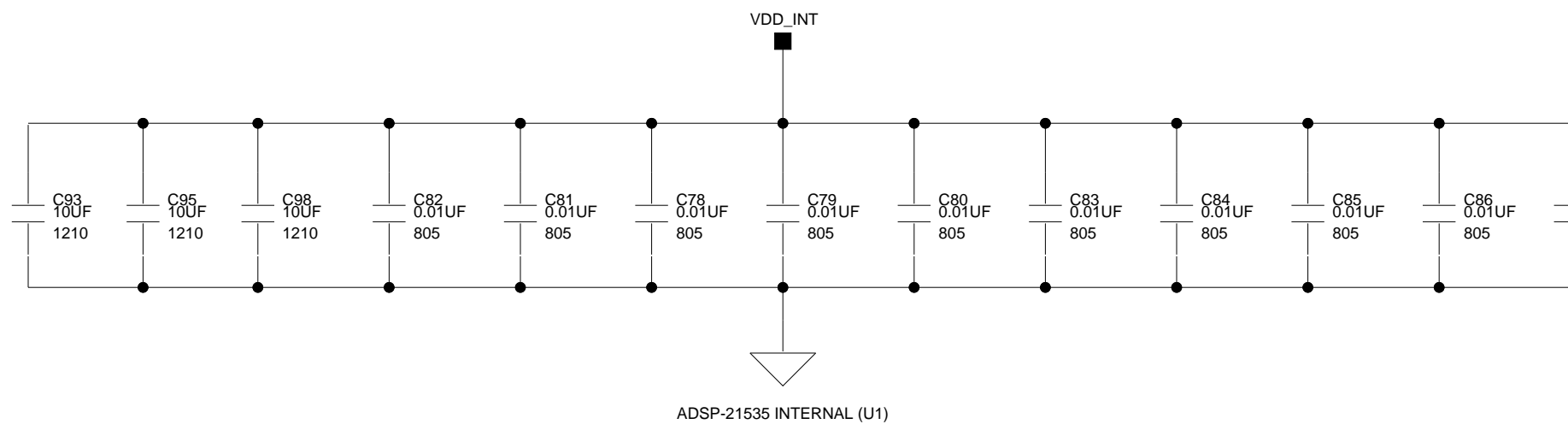
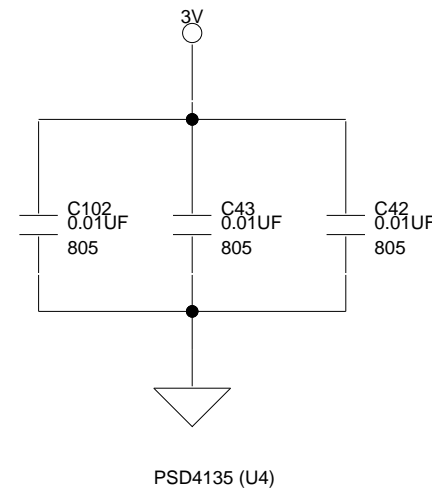
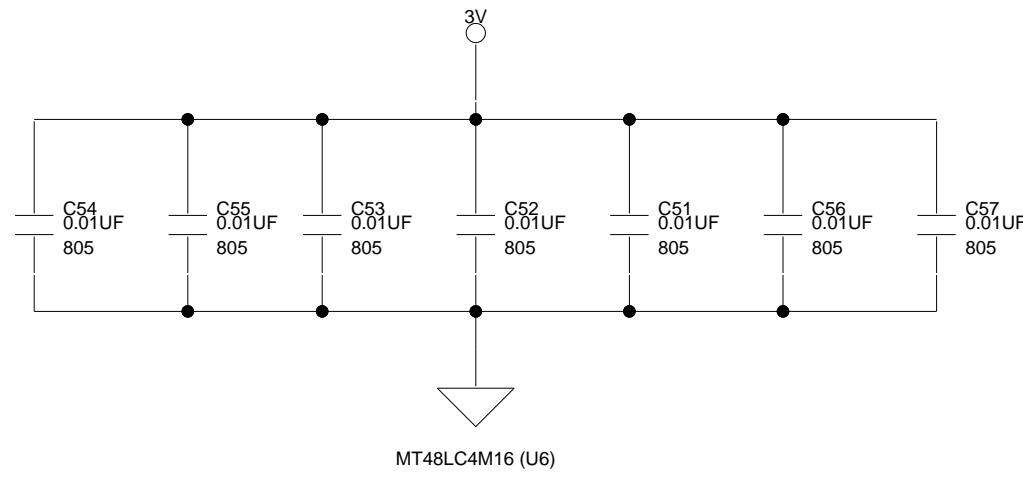
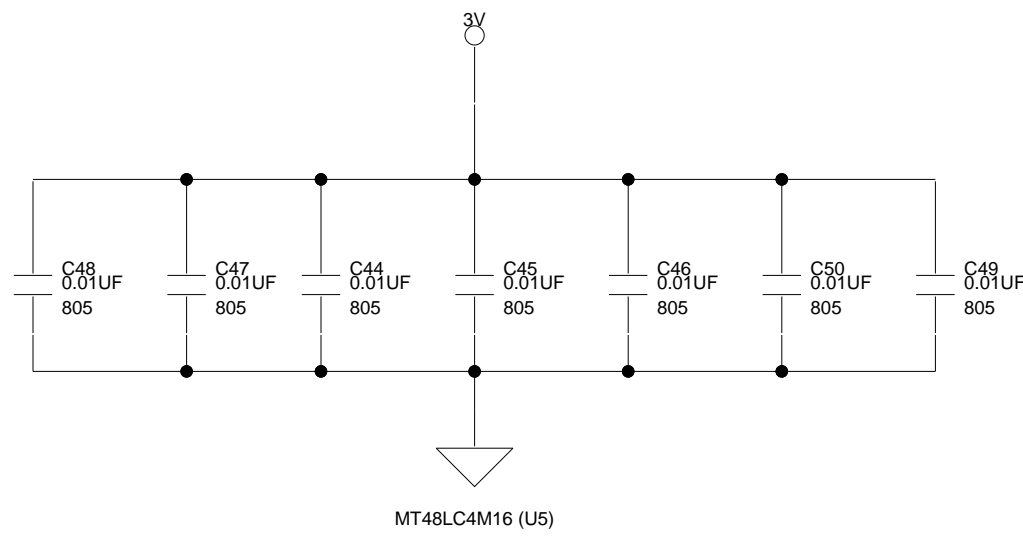
 ANALOG DEVICES		20 Cotton Road Nashua, NH 03063 PH: 1-800-ANALOGD	
		Title ADSP-21535 EZ-KIT LITE - POWER 2	
Approvals Drawn Checked Engineering	Date 5/11/02	Size C Date 5-3-2002_12:31	Board No. A0162-2000 Sheet 9 of 10
		Rev 1.4	


A

B

C

D



		20 Cotton Road Nashua, NH 03063 PH: 1-800-ANALOGD	
		Title ADSP-21535 EZ-KIT LITE - BYPASS CAPS	
Approvals Drawn Checked Engineering	Date 5/11/02	Size C Board No. A0162-2000	Rev 1.4
Date 5-3-2002_12:31		Sheet 10 of 10	